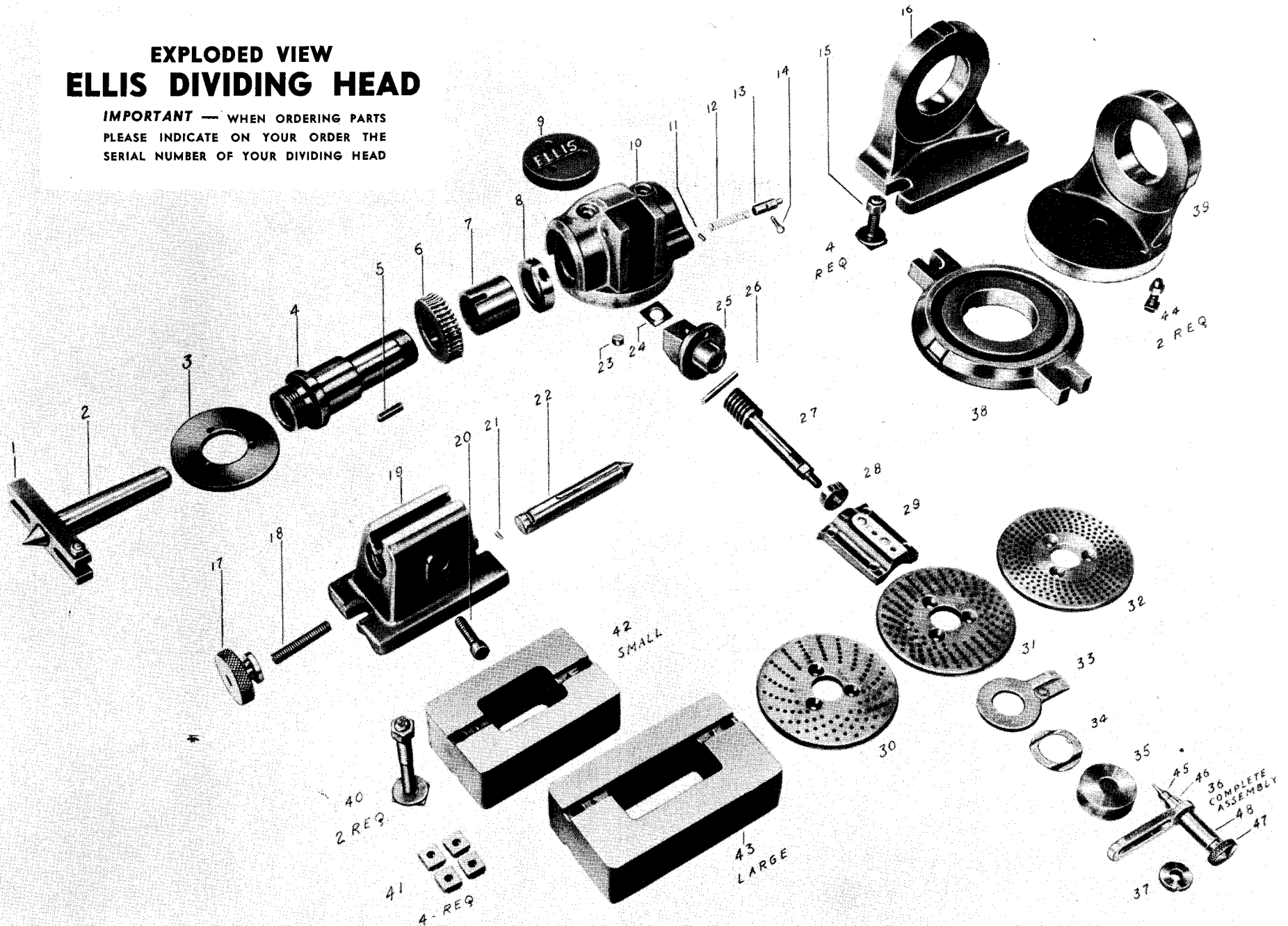


# EXPLODED VIEW ELLIS DIVIDING HEAD

**IMPORTANT** — WHEN ORDERING PARTS  
PLEASE INDICATE ON YOUR ORDER THE  
SERIAL NUMBER OF YOUR DIVIDING HEAD



**ELLIS TOOL & MANUFACTURING COMPANY**

*Manufacturers of Ellis Dividing Head*

712 HICKSON STREET • EL MONTE, CALIFORNIA • CUMBERLAND 3-5445

**PARTS LIST**

- |  |  |
|--|--|
| 1. Center Drive Arm                        | 26. Worm Bearing Shaft                       |
| 2. Dividing Head Center                    | 27. Worm                                     |
| 3. Direct Index Plate (Blank)              | 28. Worm Lock Nut                            |
| 4. Spindle                                 | 29. Body Cap                                 |
| 5. Spindle Key                             | 30. Index Plate No. 1                        |
| 6. Worm Wheel                              | 31. Index Plate No. 2                        |
| 7. Spindle Bushing                         | 32. Index Plate No. 3                        |
| 8. Spindle Nut                             | 33. Sector Arm Assemblies Complete           |
| 9. Body Locking Cap                        | 34. Sector Arm Tension Spring                |
| 10. Body                                   | 35. Tension Spring Cover                     |
| 11. Direct Index Lock Pin                  | 36. Crank Arm Assemblies Complete            |
| 12. Direct Index Spring                    | 37. Crank Arm Washer                         |
| 13. Direct Index Pin                       | 38. Base (Swivel)                            |
| 14. Direct Index Handle                    | 39. Swivel Base Body                         |
| 15. Hold Down T-Bolts (short — 4 required) | 40. Hold Down T-Bolts (long — 4 required)    |
| 16. Base (Standard)                        | 41. T-Slot Keys (4 required)                 |
| 17. Tailstock Adjusting Nut                | 42. Riser Block (small)                      |
| 18. Tailstock Adjusting Nut Stud           | 43. Riser Block (large)                      |
| 19. Tailstock                              | 44. Swivel Base Hold Down Bolts (2 required) |
| 20. Spindle Lock Screw                     | 45. Indirect Index Pin                       |
| 21. Tailstock Center Guide Pin             | 46. Indirect Index Pin Spring                |
| 22. Tailstock Center                       | 47. Crank Arm Knob                           |
| 23. Spindle Lock Shoe                      | 48. Crank Arm                                |
| 24. Worm Thrust Washer                     | 49.  |
| 25. Worm Bearing                           | 50.  |