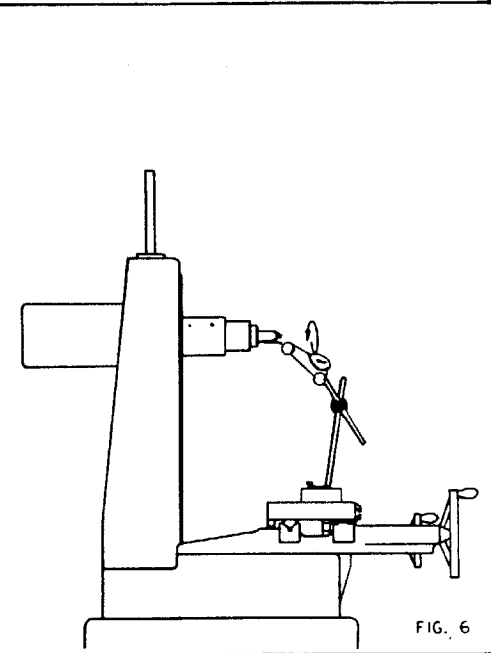
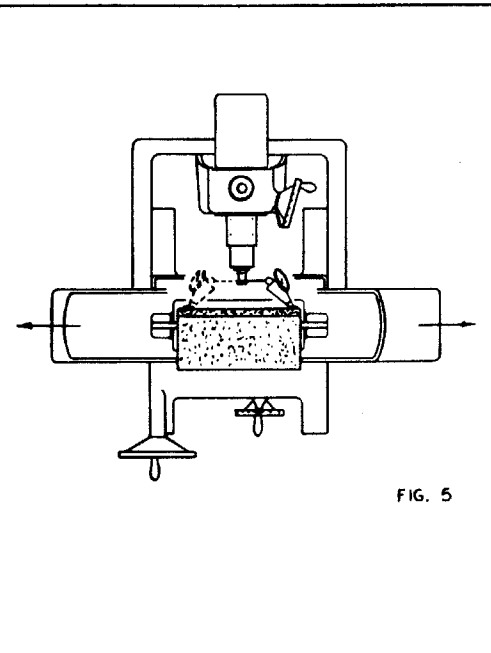
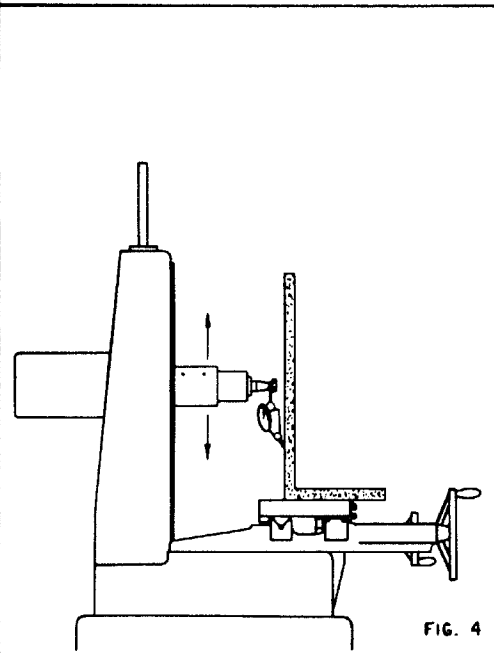
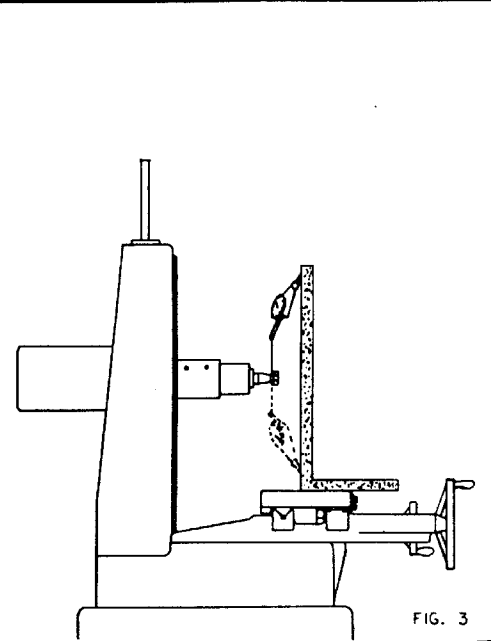
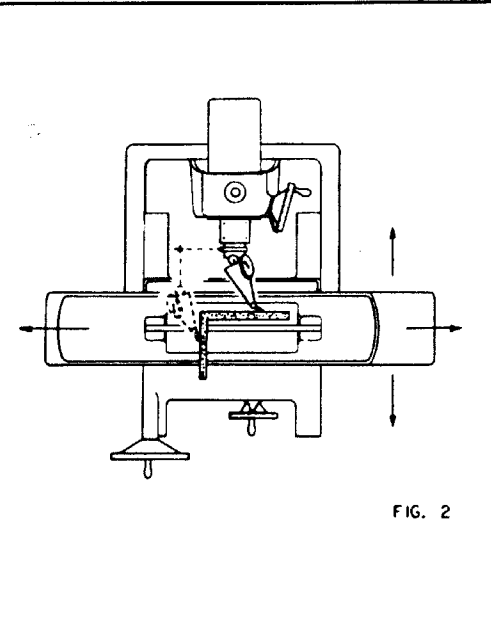
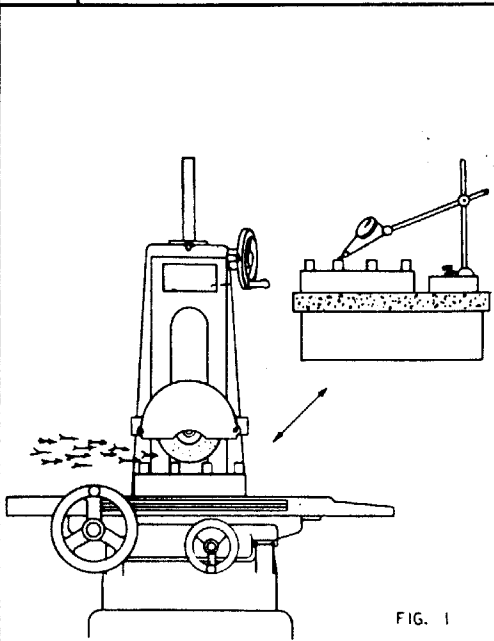


FINAL INSPECTION REPORT

DATE 1-15-88
 MODEL 612 H.F.
 SERIAL No. 17187

FIG. No.	TEST TO BE APPLIED	ALLOWABLE DEVIATION (INCHES PER FOOT)	ACTUAL DEVIATION (INCHES PER FOOT)
1.	WORK TABLE FLATNESS	.0002	.0001
2.	SQUARENESS OF CROSSFEED TO LONGITUDINAL TRAVEL	.0004	.0001
3.	SPINDLE CENTERLINE PARALLEL TO WORK TABLE	.0004	.0002
4.	VERTICAL SLIDE SQUARE TO WORK TABLE	.0006	.0005
5.	SPINDLE CENTERLINE SQUARE TO LONGITUDINAL TRAVEL OF TABLE	.0004	.0001
6.	RUNOUT OF WHEEL TAPER	.000050 T.I.R.	.000010 T.I.R.



RELIANCE

MAGNETIC DIAMOND DRESSER

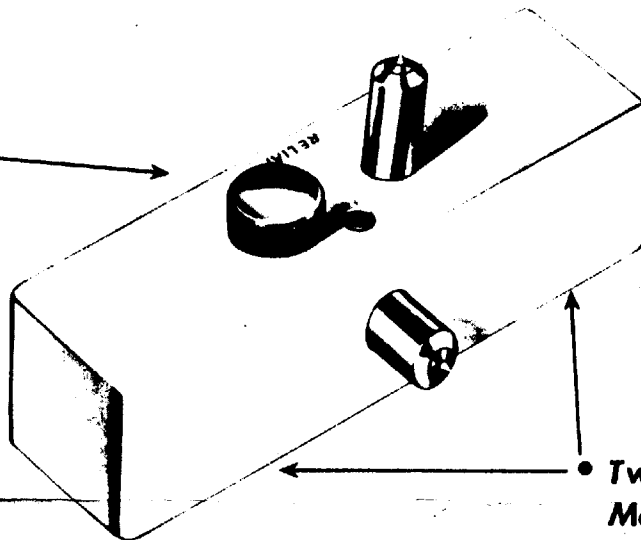
THE TIME SAVING DRESSER

for the
GRINDING DEPARTMENT

• **INSTANT
RELEASE BUTTON**

• **No Clamping
No Handle Cranking**

• **Save Lead Screw Wear
on your Surface Grinder**



• **QUICK
POSITIVE HOLD**

• **Dress Grinding Wheels;
High, Low, Bottom or
Side**

• **Two Extra Strength Banks of
Magnets are Inserted on Bottom**

• **Use on High Angle Plate
or Sine Plate Setups**

• **Dress Grinding Wheels on
Surface Grinders, Lathes
& Jig Grinders**

MAGNETS ARE PERMANENT

RELIANCE MAGNETIC DRESSER

DIAMONDS $\frac{1}{4}$ CARAT

DIAMONDS ARE GOOD QUALITY, JOB RATED FOR 7" DIAMETER
GRINDING WHEELS. FOR LARGER WHEELS USE LARGER DIAMONDS

DISTRIBUTED BY

DIAMOND SUPPLY CO. OF AMERICA, SKOKIE, ILL. — EXCLUSIVE NATIONAL DISTRIBUTORS
MANUFACTURERS OF RELIANCE RADIUS-ANGLE AND HEIGHT DRESSERS
INDUSTRIAL DIAMONDS

ELECTRICAL SUBASSEMBLY-#16311074 208V 612 HANDFEED, JIC/110V/WG/WL -REV. A-

DEC 87

QTY.	ITEM NO.	HARIG NO.	DESCRIPTION
1		17734068	SCREW, 8-32 X 3/4" ROUND HEAD MACHINE
4		17736012	NUT, 3/8-16 HEX
2		17736072	NUT, 8-32 MACHINE SCREW
4		17736151	LOCKWASHER, 3/8" X .141 X .094
45"		17747207	LIQUIDTITE, 1/2" CONDUIT TYPE LA
73"		17747212	WIRE, 14 MTW STRANDED GREEN
27"		17747216	WIRE, 16/3 SJO 300V BLACK
41'		17747218	WIRE, 16/19 MTW 600V RED
23'		17747219	WIRE, 14/19 MTW 600V BLACK
1		17747733	LOCKNUT, 1/2" STEEL STRAIN RELIEF
3		17747773	KNOCKOUT, 1/2" STEEL
1		17747790	ENCLOSURE, HOFFMAN (A-242008) W/PANEL (A-24P20)
3'		17747855	DUCT, WIRE COVER
3'		17747900	DUCT, WIRE
2	3	16213689	TRACK, 4" MOUNTING
4	7	17734126	SCREW, 1/4-20 X 3/8" ROUND HEAD MACHINE
16	8	17734301	SCREW, 8-32 X 1/2" PAN HEAD MACHINE
3	9	17734302	SCREW, 6-32 X 3/8" PAN HEAD MACHINE
4	11	17736156	LOCKWASHER, 1/4" SPLIT RING
5	12	17736160	LOCKWASHER, #8 EXTERNAL TOOTH
2	14	17747640	CONTACT BLOCK, NORMALLY OPEN
3	15	17747641	CONTACT BLOCK, NORMALLY CLOSED
1	16	17747658	BUTTON, GREEN "START"
1	17	17747659	BUTTON, RED "OFF"
13	19	17747839	TERMINAL, SPADE TONGUE
2	20	17747840	RETAINER, BARRIER END
9	21	17747841	LABEL, SINGLE BARRIER
4	23	17747843	TERMINAL, #10 SCREW 14-16 AWG INSULATED
3	24	17747848	BLOCK, 3 GANG BARRIER
1	27	17747961	FUSEBLOCK, 250V SINGLE
3	28	17747953	FUSEBLOCK, MINIATURE
2	32	17790746	SCREW, 8-32 X 5/8" BINDER HEAD
1	35	17790798	BLOCK, BARRIER GROUNDING
1	36	16213214	TAG, SERIAL NUMBER
2	52	17747730	CONNECTOR, LIQUITITE CONDUIT
1	60	17747731	STRAIN RELIEF, LARGE LIQUID TIGHT
1	66	17747869	COVER, J.I.C., DUPLEX OUTLET
1	M1	17747119	CONTACTOR
1	M3	17747126	RELAY
1	T1	17746809	TRANSFORMER, 750VA, 208-380/95-115V
1	FU4	17747930	FUSE, 250V 6.25A
1	FU7	17747954	FUSE, 2A
1	FU8	17790766	FUSE, 2.5A SLO-BLO
1	FU9	17747919	FUSE, 1A SLO-BLO
1	LT1	17747619	INDICATOR, SINGLE
1	LT1	17747665	LENS, AMBER "POWER ON"
1	LT3	17747652	LENS, WHITE "SPINDLE"
1	LT4	17747664	LENS, WHITE "COOLANT"

ELECTRICAL SUBASSEMBLY-#16311074 208V 612 HANDFEED, JIC/110V/WG/WL -REV. A-

DEC 87

QTY.	ITEM NO.	HARIG NO.	DESCRIPTION	S
1	OL1	17747122	RELAY, 3A OVERLOAD	.
1	PB1	17747616	BUTTON, RED "EMERGENCY STOP"	.
1	PB1	17747635	OPERATOR, SINGLE BUTTON	.
1	PB3	17747651	OPERATOR, SINGLE BUTTON W/INDICATOR LIGHT	.
1	PB3	17747653	BUTTON, BLUE "START"	.
1	PB4	17747617	OPERATOR, 2 BUTTON W/INDICATOR LIGHT	.
1	TB1	17790531	BLOCK, TERMINAL	.
1	CON1	17747716	PLUG, 115V FEMALE	.
1	CON2	16216656	LABEL, "WORKLIGHT"	.
1	CON2	16216657	LABEL, "WET COOLANT"	.
1	CON2	17747743	OUTLET, DUPLEX	.
1	DISC	17747471	DISCONNECT	.
1	DISC	17747472	HARDWARE, SHAFT, HANDLE AND GASKET	.
1	DISC	17747473	HOLDER, 250V FUSE KIT	.
3	FU1,2,3	17747932	FUSE, 250V 8A	.
1 *	MTR1	16211375	ASSEMBLY, 1 H.P. SPINDLE	.
1 *	MTR3	17797015	PUMP, 115V 50Hz COOLANT	.
1 *	MTR5	17746506	PUMP, 115V LUBE	.

Material Safety Data Sheet

("Essentially Similar" to Form OSHA 20)



***** SECTION I *****

NAME AND ADDRESS:
 BAY STATE ABRASIVES
 DIVISION OF DRESSER INDUSTRIES
 12 UNION STREET
 WESTBORO, MA 01581

EMERGENCY TELEPHONE NUMBER:
 (617) 366-4431

CHEMICAL NAME AND SYNONYMS:

Vitrified Aluminum Oxide
 Abrasive Products

TRADE NAME AND SYNONYMS:

Vitreous Bonded Alumina
 Abrasive Products,
 "A" Abrasive Wheels

CHEMICAL FAMILY:

Oxide
 Glass

FORMULA:

Aluminum Oxide
 Silicate base oxide glass

***** SECTION II - HAZARDOUS INGREDIENTS *****

INGREDIENT	CAS#	%	TLV
Aluminum Oxide Abrasive	1344-28-1	+50%	10 mg/cu.M
Glass		+4%	10 mg/cu.M
May contain one or more of the following as solid treatments:			
Graphite	7782-45-5	+1%	15 mg/cu.M
Sulfur	7704-34-9	+1%	10 mg/cu.M
Paraffin or Wax	8002-74-2	+1%	2 mg/cu.M
Cured Resin	NA	+1%	10 mg/cu.M
Silicate	NA	+1%	10 mg/cu.M

***** SECTION III - PHYSICAL DATA *****

BOILING POINT (Deg F): NA SPECIFIC GRAVITY (H2O = 1): Varies
 VAPOR PRESSURE (mm HG): NA PERCENT VOLATILES BY VOLUME (%): 0
 VAPOR DENSITY (Air = 1): NA EVAPORATION RATE (_____=1): NA
 SOLUBILITY IN WATER: NA
 APPEARANCE AND ODOR: Red, Pink, Brown, Blue, Gray or White Solid, No Odor

* * * * * SECTION IV - FIRE AND EXPLOSION HAZARD DATA * * * * *

FLASH POINT (METHOD USED): NA FLAMMABLE LIMITS: NA
EXTINGUISHING MEDIA: NA
SPECIAL FIRE FIGHTING PROCEDURES: NA

UNUSUAL FIRE AND EXPLOSION HAZARD: Does not burn or explode.

* * * * * SECTION V - HEALTH HAZARD DATA * * * * *

THRESHOLD LIMIT VALUE: 10 mg/cu.M - Alumina
EFFECTS OF OVER-EXPOSURE: Grinding wheels break down during use and the resulting dust is classified by OSHA as inert or nuisance dust and would have the pulmonary effects of inert dust.
EMERGENCY AND FIRST AID PROCEDURES: If inhalation overexposure occurs, remove to fresh air and contact physician if necessary.

* * * * * SECTION VI - REACTIVITY DATA * * * * *

STABILITY: Stable CONDITIONS TO AVOID: NA
INCOMPATIBILITY (MATERIALS TO AVOID): None Known
HAZARDOUS DECOMPOSITION PRODUCTS: None
HAZARDOUS POLYMERIZATION: Will Not Occur

* * * * * SECTION VII - SPILL OR LEAK PROCEDURES * * * * *

STEPS TO BE TAKEN IN CASE MATERIAL IS RELEASED OR SPILLED:
Ventilate area and collect material in most convenient and safe manner for reclamation or disposal.

WASTE DISPOSAL METHOD:
Sealed containers disposed of in a secured sanitary landfill and in accordance with federal, state and local regulations.

* * * * * SECTION VIII - SPECIAL PROTECTION INFORMATION * * * * *

RESPIRATORY PROTECTION: MSHA or NOISH Approved Dust Respirators may be required. See Section IX
VENTILATION: Utilize local exhaust to keep dust below TLV.
PROTECTIVE GLOVES: May be required in grinding operations.
EYE PROTECTION: Required OTHER PROTECTIVE EQUIPMENT: If Applicable

* * * * * SECTION IX - SPECIAL PRECAUTIONS * * * * *

PRECAUTIONS TO BE TAKEN IN HANDLING AND STORING:
Take measures to insure against mechanical damage.

OTHER PRECAUTIONS:

1. Store in accordance with ANSI B7.1.
2. Respiratory protection may be required in an extremely dusty environment. Refer to ANSI Z43.1 for additional recommendations.
3. Use according to instructions packed with the wheels.

PREPARED: 11/14/85

MATERIAL SAFETY DATA SHEET

FOR COATINGS, RESINS AND RELATED MATERIALS

(Approved by U.S. Department of Labor. Essentially Similar to Form OSHA-20)

DATE OF PREP 7-17-84

Section I

MANUFACTURER'S NAME

A. P. NONWEILER CO., INC.

STREET ADDRESS

3321 NORTH SHORE DRIVE

CITY, STATE AND ZIP CODE

OSHKOSH, WI 54902

EMERGENCY TELEPHONE NO.

414-231-0850

PRODUCT CLASS

MANUFACTURER'S CODE IDENTIFICATION

TRADE NAME LACQUER

400 SPRAY CAN GRAY LACQUER

15000400

Section II – HAZARDOUS INGREDIENTS

INGREDIENT	PERCENT BY WT.	TLV		LEL	VAPOR PRESSURE
		PPM	mg. m ³		
METHYL ETHYL KETONE	25.9	200		1.8	70.60
TOLUOL	17.3	100		1.2	38.00
BUTYL ACETATE	12.4	200		1.7	40.00
XYLOL	7.9	100		1.0	9.50
BUTANOL	5.9	50		1.2	12.70
ISOPROPANOL	2.3	400		2.0	31.20
VM&P NAPHTHA	1.2	100		1.1	50.00
BUTYL CELLOSOLVE	<1.0	50		--	.88
CELLOSOLVE ACETATE	<1.0	100		--	1.70
VOC=6.05#/gal.					

Section III – PHYSICAL DATA

BOILING RANGE	174 ^o -340 ^o F	VAPOR DENSITY	<input checked="" type="checkbox"/> HEAVIER	<input type="checkbox"/> LIGHTER THAN AIR
EVAPORATION RATE	<input type="checkbox"/> FASTER	<input checked="" type="checkbox"/> SLOWER THAN ETHER	PERCENT VOLATILE BY VOLUME	WEIGHT PER GALTON
			85.8	8.09#

Section IV – FIRE AND EXPLOSION HAZARD DATA

DOT CATEGORY	FLASH POINT	16 ^o F	LEL 1.0%
FLAMMABLE LIQUID			
EXTINGUISHING MEDIA			
CARBON DIOXIDE OR DRY CHEMICAL EXTINGUISHERS FOR SMALL FIRES. FOAM TYPE FOR LARGE FIRES.			
UNUSUAL FIRE AND EXPLOSION HAZARDS			
WATER SPRAY MAY BE USED TO REDUCE RATE OF BURNING AND FOR COOLING CONTAINERS.			
SPECIAL FIRE FIGHTING PROCEDURES			
AIRM EXTINGUISHER AT BASE OF FLAME.			

Section V – HEALTH HAZARD DATA

THRESHOLD LIMIT VALUE 110 PPM

EFFECTS OF OVEREXPOSURE

BREATHING OF HIGH VAPOR CONCENTRATIONS MAY CAUSE DIZZINESS AND/OR NAUSEA.
LIQUID MAY CAUSE MINOR SKIN IRRITATION AND DEFINITE EYE IRRITATION.

EMERGENCY AND FIRST AID PROCEDURES

REMOVE TO FRESH AIR. APPLY ARTIFICIAL RESPIRATION IF NECESSARY. CALL PHYSICIAN.
WASH AFFECTED SKIN AREAS WITH MILD SOAP AND WATER. FLUSH EYES WITH WATER.

Section VI – REACTIVITY DATA

STABILITY UNSTABLE STABLE

INCOMPATIBILITY (Materials to avoid)

CONDITIONS TO AVOID

EXCESSIVE HEAT, SPARKS OR OPEN FLAME.

HAZARDOUS DECOMPOSITION PRODUCTS

THERMAL DECOMPOSITION MAY PRODUCE CARBON MONOXIDE AND/OR DIOXIDE.

HAZARDOUS POLYMERIZATION MAY OCCUR WILL NOT OCCUR

CONDITIONS TO AVOID

Section VII – SPILL OR LEAK PROCEDURES

STEPS TO BE TAKEN IN CASE MATERIAL IS RELEASED OR SPILLED

PROVIDE ADEQUATE VENTILATION. SOAK UP IN RAGS, SAWDUST, ETC.

WASTE DISPOSAL METHOD

INCINERATE OR DISPOSE OF IN ACCORDANCE WITH LOCAL REGULATIONS.

Section VIII – SPECIAL PROTECTION INFORMATION

RESPIRATORY PROTECTION

USE SELF CONTAINED BREATHING APPARATUS WHERE VAPOR CONCENTRATIONS MAY BE ABOVE
TLV LIMITS.

VENTILATION

LOCAL EXHAUST PREFERRED.

PROTECTIVE GLOVES RUBBER.

EYE PROTECTION SAFETY GOGGLES OR GLASSES.

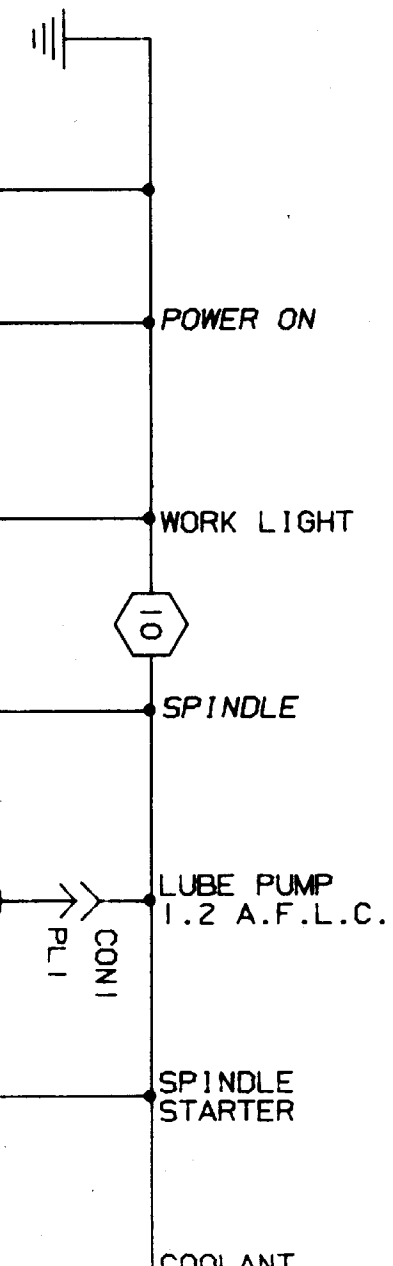
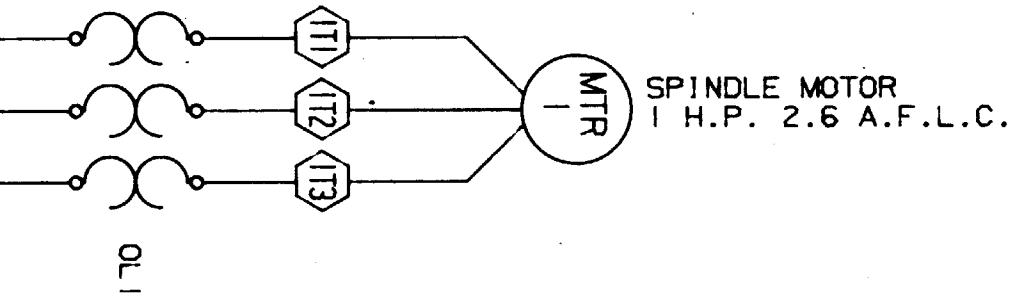
OTHER PROTECTIVE EQUIPMENT EYE BATH AND SAFETY SHOWER.

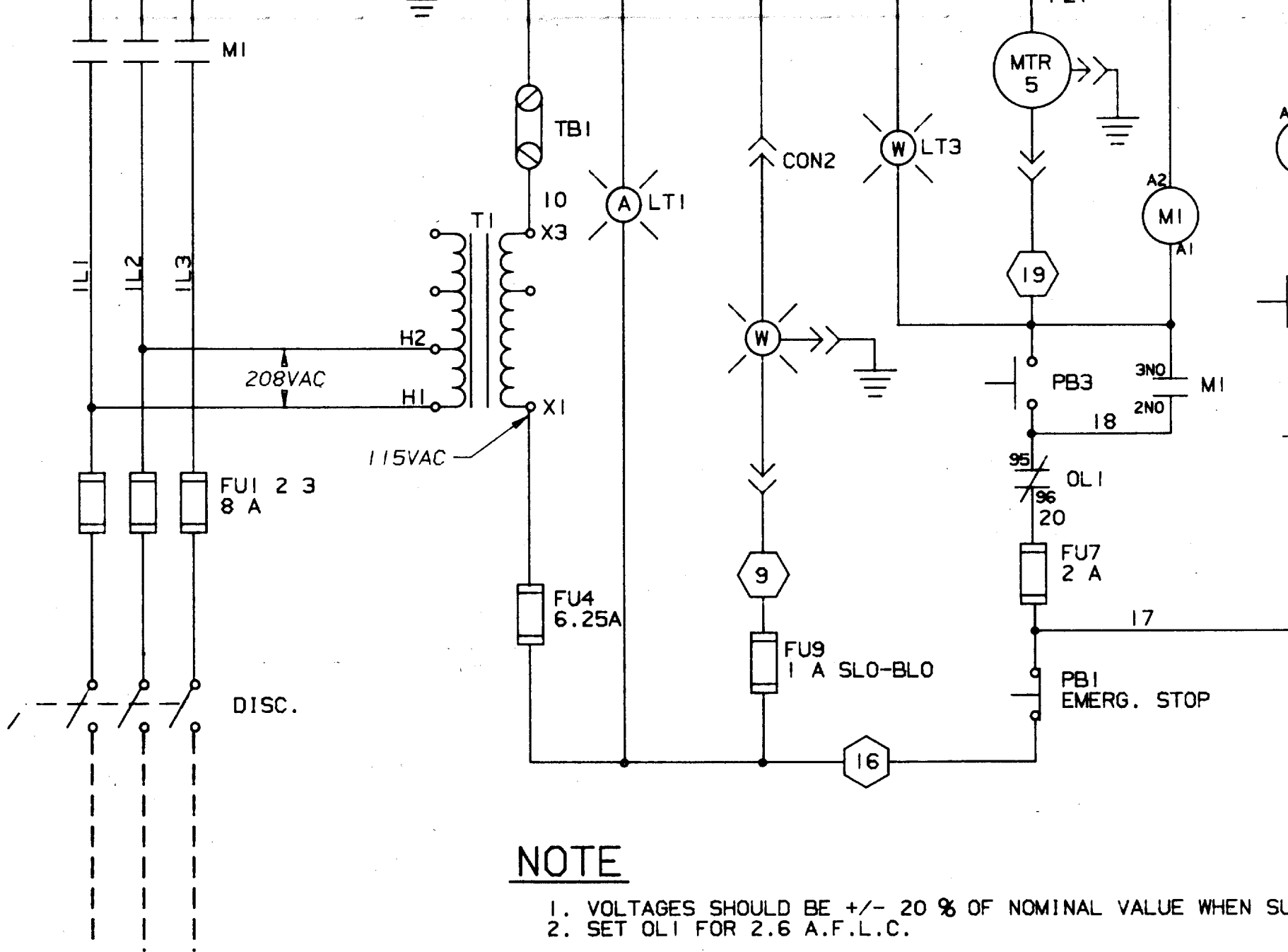
Section IX – SPECIAL PRECAUTIONS

PRECAUTIONS TO BE TAKEN IN HANDLING AND STORING

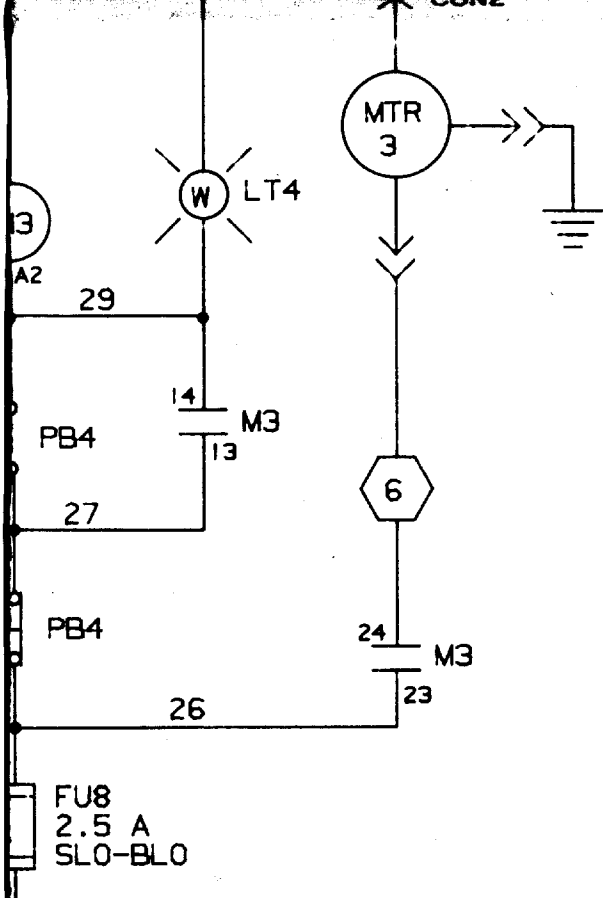
PROTECT CONTAINERS AGAINST PHYSICAL DAMAGE.

OTHER PRECAUTIONS





208VAC
 3 PHASE
 60 CYCLE
 CUSTOMERS SUPPLY



**NOTICE OF PROPRIETARY
CONFIDENTIAL INFORMATION**

THIS DOCUMENT AND THE INFORMATION SET FORTH IN IT AND DERIVABLE FROM IT WHETHER PATENTABLE OR UNPATENTABLE IS THE SECRET EXCLUSIVE AND/OR PROPRIETARY PROPERTY OF HARIG PRODUCTS OF ELGIN ILLINOIS U.S.A. BRIDGEPORT MACHINES.

NO USE OR DISCLOSURE OF SAID DOCUMENT AND/OR INFORMATION MAY BE MADE EXCEPT WITH THE WRITTEN PERMISSION OF HARIG PRODUCTS WHICH PERMISSION SHALL REFER THERE TO BY DRAWING NUMBER OR BY OTHER EQUALLY SPECIFIC IDENTIFICATION.

JAN 18 1988

DATE PRINT ISSUED _____

PLY LINE IS 208VAC.

REV.	E.C.N. NO.	DESCRIPTION	DATE	BY
A	87-099	NEW PRODUCT RELEASE	12/21/87	ENS

TOLERANCES: DECIMALS ± .005 FRACTIONS ± .015 ANGLES ± 10	TITLE: 208Y 612 HANDFEED, JIC/110V/WG	DWG. BY E.H.S	CHECKED BY MGS
	HARIG PRODUCTS BRIDGEPORT MACHINES INC. 1875 BIG TIMBER ROAD ELGIN, ILLINOIS 60123		DATE 12/21/87 SHEET NO. 1 OF 2 PART NO. 16311074

STARTER

COOLANT

COOLANT PUMP
1.95 A.F.L.C.

CON2

