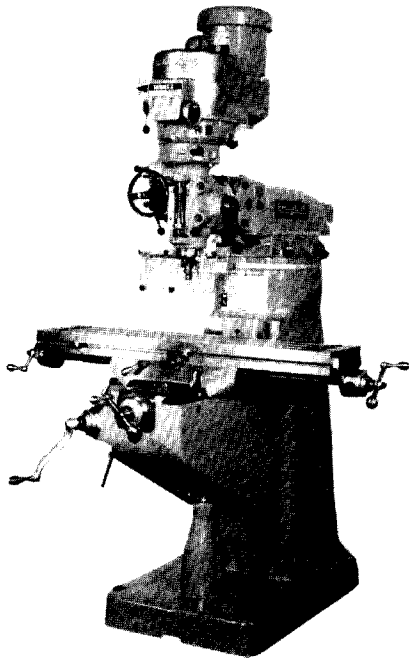
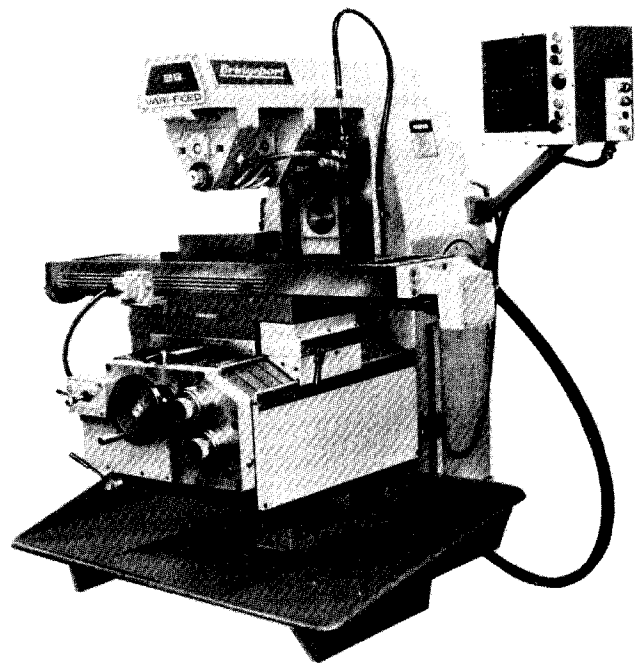


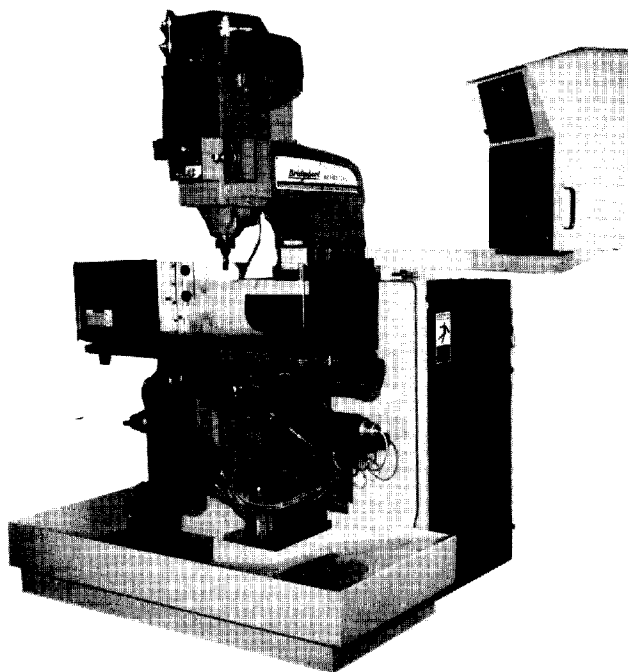
ADDITIONAL PRODUCTS



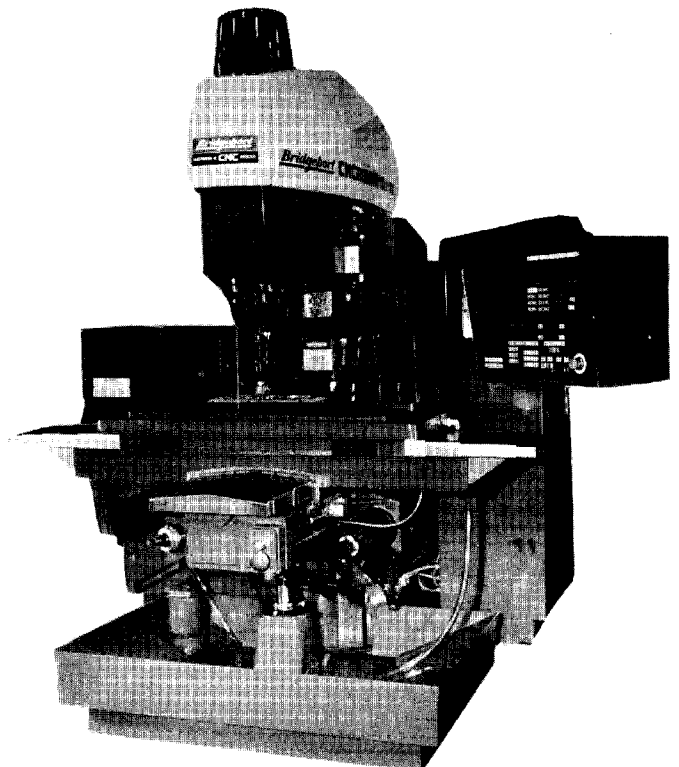
SERIES I STANDARD



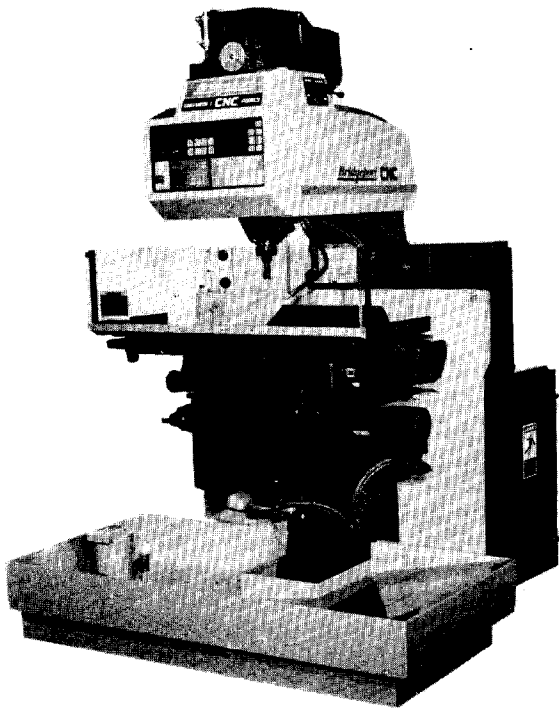
2S VARI-FEED HORIZONTAL MILL



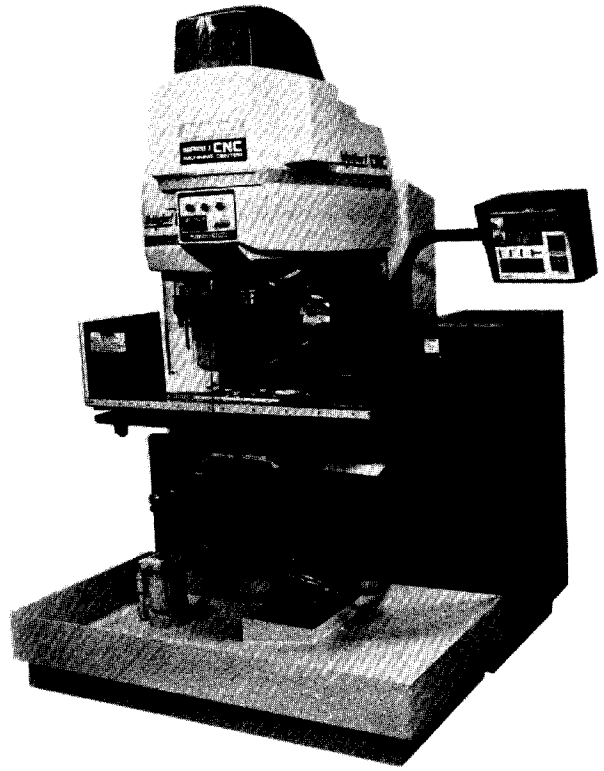
SERIES I R2C3



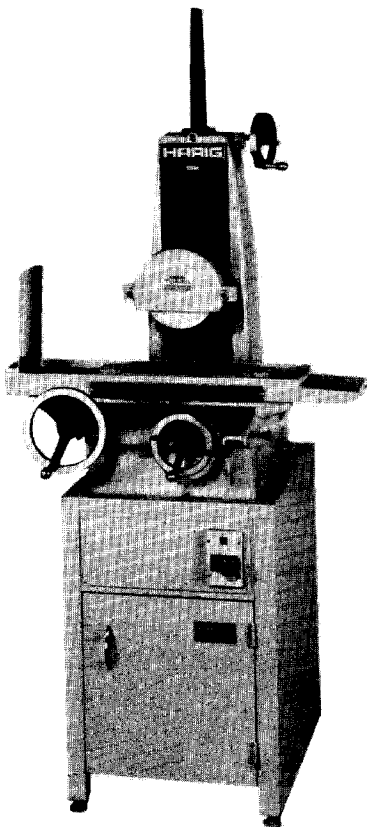
SERIES II S7D3



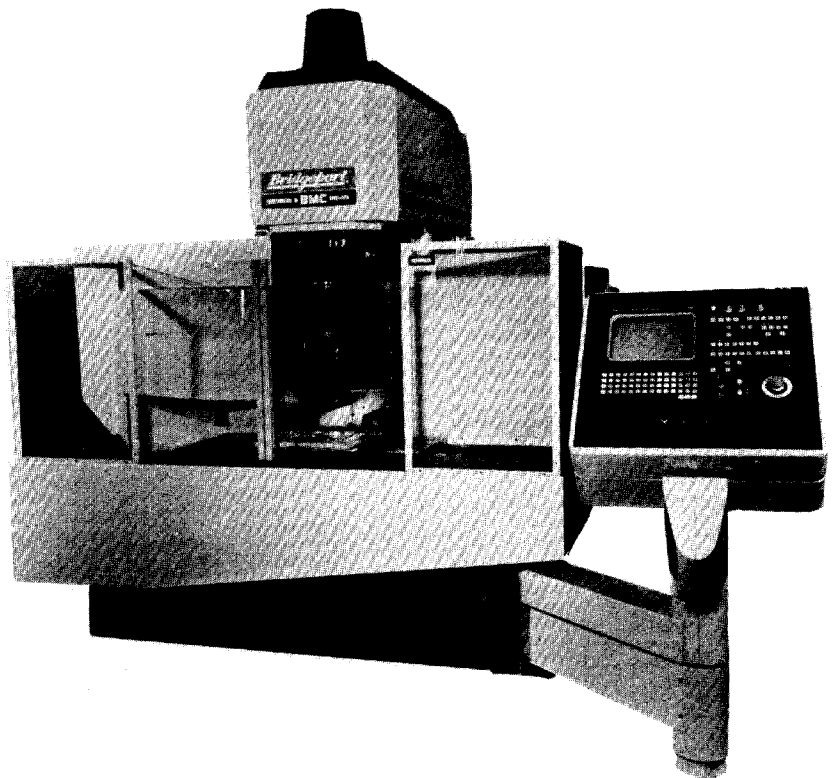
SERIES I R2E3



SERIES I MACHINING CENTER

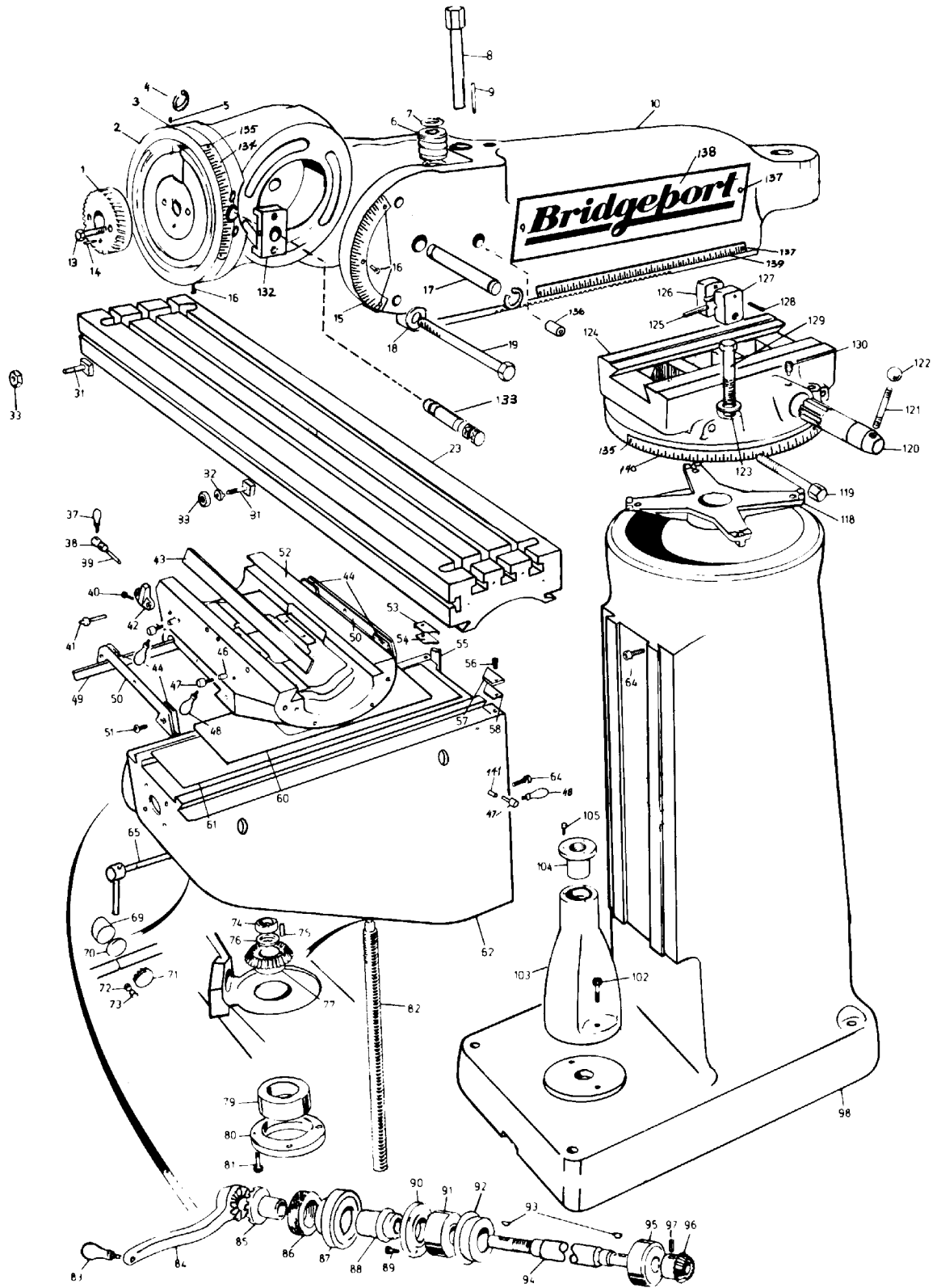


HARIG 612 SURFACE GRINDER



SERIES II BMC 7-845

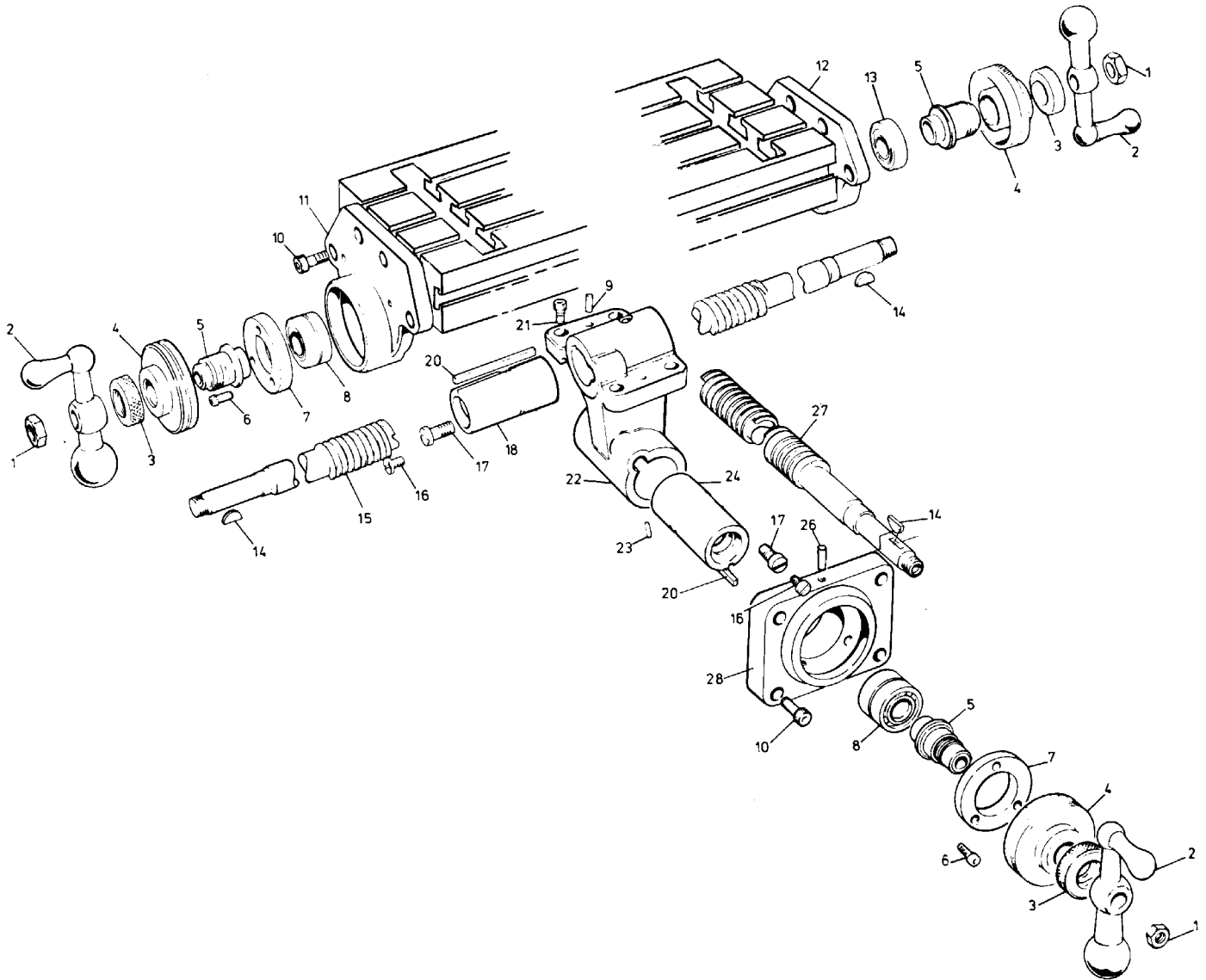
Basic Machine



Basic Machine

Item No.	Code No.	Description	Item No.	Code No.	Description
1	12-19-3500	Quill Housing ADJ. Gear	74	11-01-1755	Jam Nut
2	12-06-0129	Ram Adapter	75	12-06-0071	Key
4	11-06-0892	Snap Ring	76	12-06-0072	Washer
5	11-01-1260	Socket Set Screw (2 Req.)	77	11-06-2204	Bevel Gear
6	11-06-2206	Vertical Adjusting Worm	79	11-06-0205	Sealed Ball Bearing
7	12-06-0135	Worm Thrust Washer (2 Req.)	80	12-06-0070	Bearing Retainer Ring
8	12-06-0130	Vertical Adjusting Worm Shaft	81	11-01-1030	Socket Head Cap Screw
9	12-06-0138	Worm Key	82	12-06-1238	Elevating Screw Assembly
10	12-06-0128	Ram	83	12-06-0060	Handle
13	11-01-1035	Socket Cap Screw (2 Req.)	84	12-06-0080	Elevating Crank
14	11-01-0590	Roll Dowel Pin	85	12-06-0079	Gearshaft Clutch Insert
15	11-06-2826	Angle Plate	86	12-06-0078	Dial Lock Nut
16	11-01-1555	Round HD Drive Screw (5 Req.)	87	12-06-0076	Dial with 100 Graduations
17	12-06-1028	Adapter Pivot Pin	88	12-06-0077	Dial Holder
18	12-20-0109	Chamfered & Hardened Washer (7 Req.)	89	11-01-1030	Socket Head Cap Screw
19	11-06-1180	Adapter Locking Bolt (3 Req.)	90	12-06-0210	Bearing Retaining Ring
23	12-06-0021	Table 36" (12-06-0346 - 42" - 12-06-0347 - 48")	91	11-06-0204	Grease Sealed Bearing
31	11-06-1602	Stop Piece T-Bolt (3 Req.)	92	12-06-0074	Bearing Cap
32	11-06-2301	Table Stop Piece (2 Req.)	93	11-01-3078	Key
33	11-01-1720	Hex Nut (3 Req.)	94	12-06-0147	Elevating Shaft for 12" Knee
37	11-06-2179	Table Lock Bolt Handle	95	11-06-0204	Grease Sealed Bearing
38	12-06-0119	Saddle Lock Bolt	96	11-06-2205	Bevel Pinion
39	12-06-0125	Saddle Lock Plunger	97	11-01-1220	Set Screw
40	11-01-1071	Socket HD Cap Screw (2 Req.)	98	12-06-0209	Column
41	12-06-0088	Gib Adjusting Screw (3 Req.)	102	11-01-1074	Socket Head Cap Screw
42	12-06-0121	Table Stop Bracket	103	12-06-0207	Pedestal
43	12-06-0117	Saddle/Table Gib	104	12-06-0051	Elevating Screw Nut
44	11-06-2406	Felt Wipers (4 Req.)	105	11-01-1033	Socket Head Cap Screw
46	12-06-0118	Table Lock Plunger	118	12-06-0144	Spider
47	12-06-0119	Table Lock Bolt (5 Req.)	119	12-06-0133	Ram Lock Stud
48	12-06-2179	Table Lock Bolt Handle (5 Req.)	120	12-06-0134	Ram Pinion
49	12-06-0124	Saddle/Knee Gib	121	12-06-0139	Ram Pinion Handle
50	12-06-0123	Saddle Knee Wiper Plate (2 Req.)	122	11-19-2150	Plastic Ball
51	11-01-1580	Oval Head Screw (6 Req.)	123	12-20-0109	Chamfered x Hardened Washer
52	12-06-0097	Saddle	124	12-06-0208	Turret
53	11-06-0093	Left Hand Column Wiper Holder	125	12-06-0137	Ram Clamp Bar
54	11-06-2405	Knee Wiper Felt	126	12-06-0141	Ram Clamp Untapped
55	12-06-0146	Knee/Column Gib 12"	127	12-06-0136	Ram Clamp Tapped
56	11-01-1035	Allen Cap Screw (2 Req.)	128	11-01-0070	Split Pin
57	12-06-0094	Right Hand Column Wiper Holder	129	11-06-1178	Locking Bolt
58	11-06-2405	Knee Wiper Felt	130	12-06-0140	Ram Pinion Screw
60	11-06-0152	Chip Guards - Upper	131	11-11-3051	Wrench
61	11-06-0153	Chip Guards - Lower	132	12-65-0180	Stop Bracket
62	12-06-0206	Knee 12"	133	12-06-9999	Stop Pin
64	12-06-0095	Stop Screw	134	11-06-0603	Scale, Ram Adapter
65	12-06-1230	Knee Lock Shaft Assembly	135	11-98-0425	Drive Screw, # 4 x .188 (6 Req.)
69	12-06-0089	Knee Lock Plunger	136	12-06-0328	Bushing, Clamping
70	11-11-1912	Washer	137	11-01-1556	Drive Screw, # 6 x .375
71	11-01-0786	Knee Binder Plug (Plastic)	138	11-06-0420	Nameplate
72	11-01-1375	Dog Point Set Screw	139	11-06-0602	Scale, Ram
73	11-01-1270	Set Screw	140	11-06-0601	Scale, Turret
			141	12-06-0422	Plug, Upper
			142	12-06-0423	Plug, Lower
			143	12-06-0604	Saddle Lock Plug

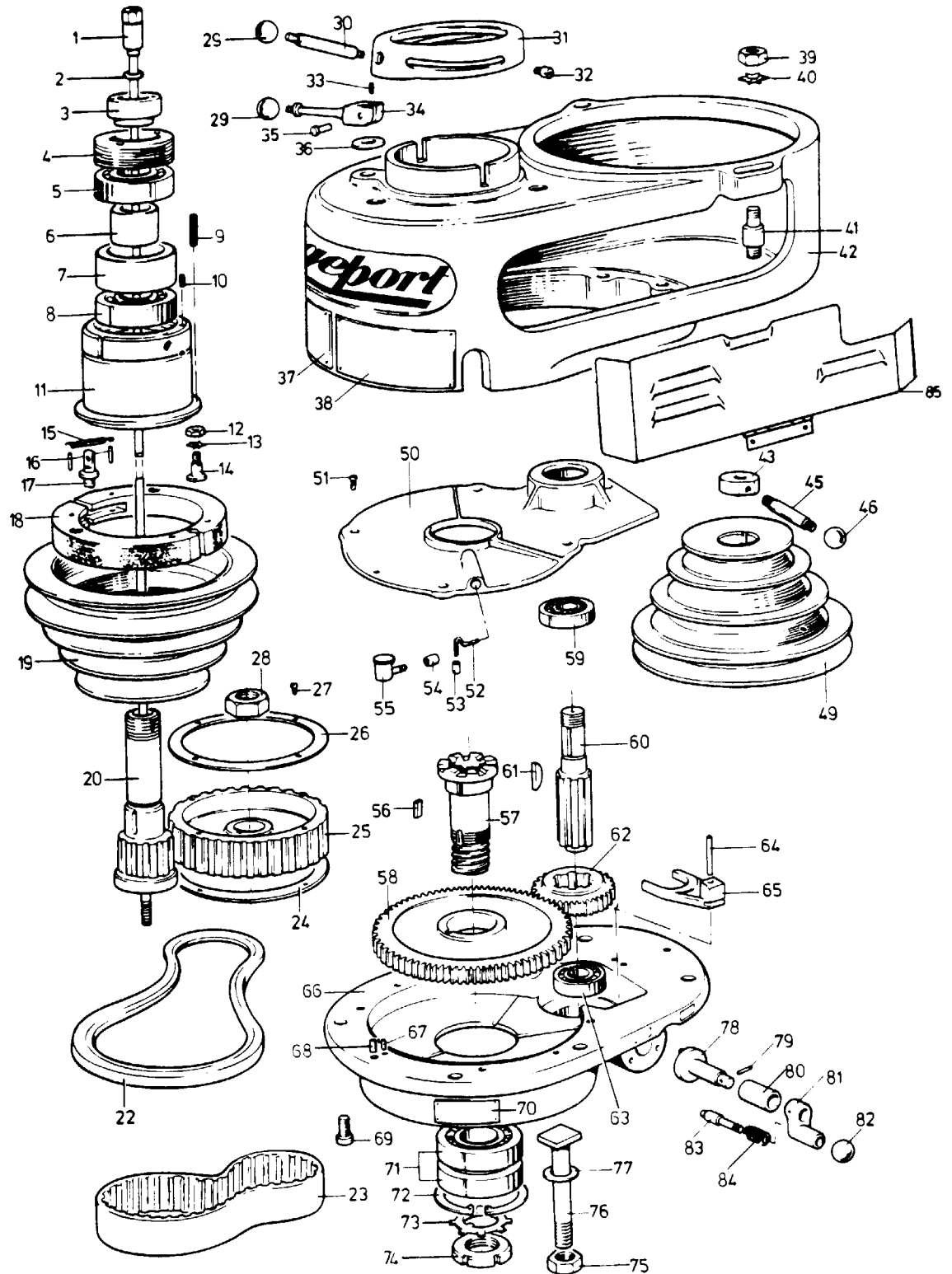
Leadscrew Assembly



Leadscrew Assembly

Item No.	Code No.	Description
1	11-01-1755	Jam Nut (3 Req.)
2	12-06-0085	Ball Crank Handle (3 Req.)
3	12-06-0078	Dial Lock Nut (3 Req.)
4	12-06-0083	Dial with 200 Graduations (3 Req.)
5	12-06-0084	Dial Holder (3 Req.)
6	11-01-1030	Socket Cap Screw (6 Req.)
7	12-06-0075	Bearing Retainer Ring (2 Req.)
8	11-06-0203	Grease Sealed Ball Bearings (2 Req.)
10	11-01-1074	Socket Cap Screw (12 Req.)
11	12-06-0116	Right Bearing Bracket
12	12-06-0115	Left Bearing Bracket
13	11-06-0204	Grease Seal Ball Bearing
14	11-01-3078	No. 7 Woodruff Key (3 Req.)
15	12-06-1222	Longitudinal Feed Screw 42" (48" also available 12-06-1223)
16	11-01-1592	Washer Head Screw (2 Req.)
17	12-06-0100	Cross Feed Nut Retaining Screw (2 Req.)
18	12-06-0102	Longitudinal Feed Nut
20	12-06-0099	Key (2 Req.)
21	11-01-1074	Socket Cap Screw (4 Req.)
22	12-06-1250	Feed Nut Bracket
23	12-06-0096	Key Pin
24	12-06-0098	Cross Feed Nut
26	12-19-0188	Stop Pin
27	12-06-1233	Cross Feed Screw for 12" Knee
28	12-06-0082	Cross Feed Bearing Bracket

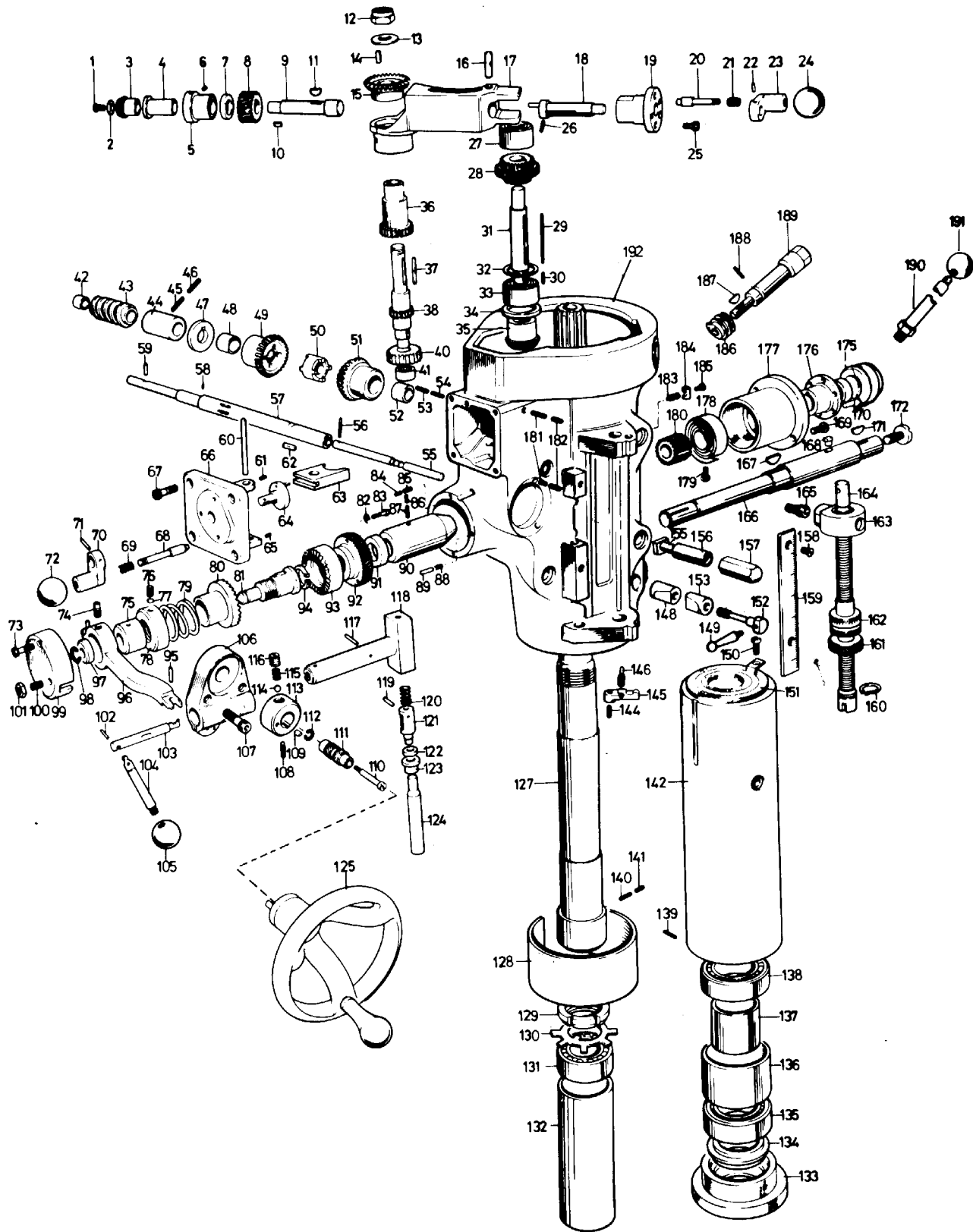
J Head Top Housing



J Head Top Housing

Item No.	Code No.	Description	Item No.	Code No.	Description
1	12-19-3502	Drawbar for R.8 Collet	42	12-19-3507	Belt Housing
2	12-19-0183	Drawbar Washer	43	12-19-3541	Motor Locknut (2 Req.)
3	12-19-0126	Upper Bearing Locknut	45	12-19-0172	Motor Locknut Handle (2 Req.)
4	12-19-0125	Bearing Sleeve Locknut	46	11-19-2151	Black Plastic Ball (2 Req.)
5	11-19-0232	Ball Bearing	49	12-19-3508	Motor Pulley
6	12-19-3506	Upper Bearing Spacer (small)	50	12-19-3452	Gear Housing Cover
7	12-19-3506	Upper Bearing Spacer (large)	51	11-01-1455	Round HD Screw (5 Req.)
8	11-19-0232	Ball Bearing	52	11-19-5720	Wick
9	11-19-2032	Compression Spring (4 Req.)	53	12-19-0120	Oiler Tube
10	11-01-1258	Socket Set Screw (2 Req.)	54	12-19-0121	Oiler Plug
11	12-19-3512	Spindle Pulley Bearing Sleeve	55	11-19-3105	Oil Cup
12	11-01-1743	Jam Nut	56	12-19-0116	Bull Gear Key
13	11-19-1965	External Lock Washer	57	12-19-0115	Splined Gear Hub
14	12-19-3516	Brake Ring Screw (3 Req.)	58	12-19-3548	Spindle Bull Gear Assembly
15	11-19-2084	Spring (2 Req.)	59	11-18-0235	Bearing
16	11-01-0507	Roll Pin (4 Req.)	60	12-19-3548	Countershaft
17	12-19-0131	Brake Lock Stud	61	11-01-3079	Key
18	12-19-3477	Brake Assembly	62	12-19-3548	Countershaft Gear
19	12-19-0055	Spindle Pulley	63	11-18-0235	Bearing
20	12-19-3478	Spindle Pulley Hub	64	11-01-0747	Dowel Pin
22	11-19-2101	'V' Belt	65	12-19-0062	Back Gear Shifter Fork
23	11-18-2106	Timing Belt	66	12-19-3505	Gear Housing
24	12-19-0058	Timing Belt Pulley Flange	67	11-01-0713	Dowel Pin (2 Req.)
25	12-19-3509	Timing Belt Pulley	68	11-01-0555	Roll Pins (2 Req.)
26	12-19-0058	Timing Belt Pulley Flange	69	11-01-1104	Socket Cap Screw (6 Req.)
27	11-01-1506	Flat Head Screw	71	11-19-0230	Ball Bearing
28	11-19-1738	Hex Jam Nut	72	11-19-0806	Snap Ring
29	11-19-2151	Black Plastic Ball Handle (2 Req.)	73	11-19-1944	Lockwasher
30	12-19-0128	Spindle Clutch Lever	74	11-19-1793	Bearing Locknut
31	12-19-0127	Cam Ring	75	11-01-1718	Hex Nut Hardened (3 Req.)
32	12-19-0129	Cam Ring Pin (2 Req.)	76	12-19-3515	Vertical Tee Bolt (3 Req.)
33	11-01-1215	Socket Set Screw	77	12-19-0114	Vertical Bolt Washer (3 Req.)
34	12-19-0133	Brake Lock Handle	78	12-19-3545	Back Gear Shift Crank
35	12-19-0134	Brake Lock Pin	79	11-01-0517	Roll Pin
36	12-19-0132	Brake Lock Washer	80	12-19-0186	Back Gear Shift Bushing
37	11-19-2830	Spindle Speed Plate	81	12-19-3443	Shift Crank
38	11-19-2832	Operating Instruction Plate	82	11-19-2151	Black Plastic Ball 1" Dia.
39	11-19-1796	Hex Jam Nut (2 Req.)	83	12-19-0138	Gearshift Plunger
40	11-19-1922	Lock Washer	84	11-19-2052	Compression Spring
41	12-19-0173	Motor Mounting Studs (2 Req.)	85	11-19-0420	Belt Guard (R.H.)
				11-19-0421	Belt Guard (L.H.)

J Head

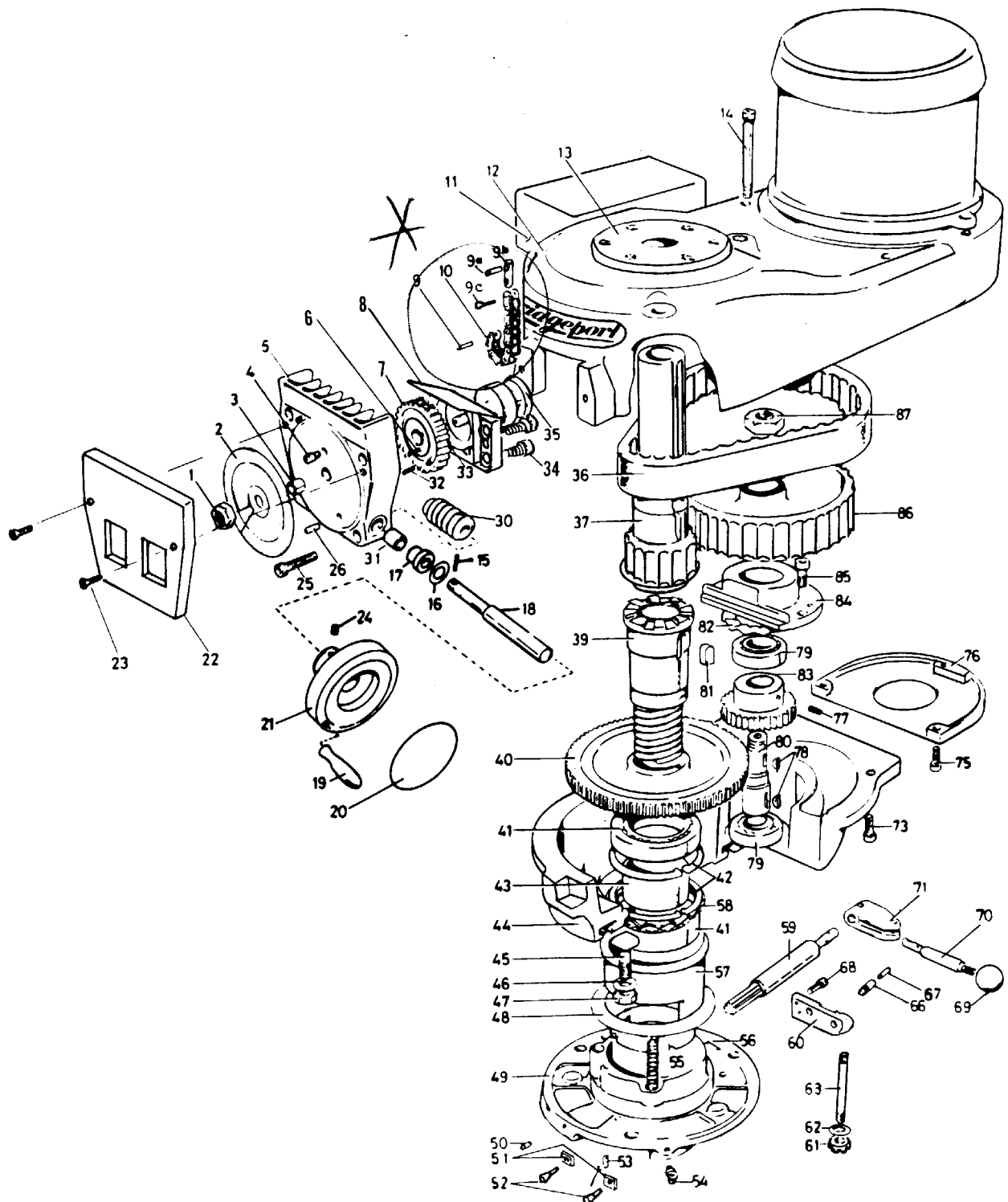


J Head

Item No.	Code No.	Description	Item No.	Code No.	Description
1	11-01-1445	RD. HD. Screw	59	170	11-01-0717 Roll Pin
2	12-19-0163	Bevel Pinion Washer	60	171	11-01-3076 Key
3	12-19-0203	Feed Bevel Pinion	61	172	12-19-0182 Pinion Shaft Hub Screw
4	12-19-0164	Feed Worm Gear Shaft Sleeve	62	173	11-19-2165 Steel Ball
5	11-19-2303	Worm Cradle Bushing	63	174	11-19-2033 Compression Spring
6	11-01-1287	Setscrew	64	175	12-20-1031 Rack Feed Handle Hub
7	12-19-0165	Worm Gear Spacer (4 Req.)	65	176	12-19-0079 Pinion Shaft Hub Sleeve
8	12-19-0166	Feed Drive Worm Gear	66	177	12-19-3436 Spring Cover
9	12-19-0167	Feed Drive Worm Gear Shaft	67	178	11-19-2020 Clock Spring (Clock Spring Assy. 12-19-3437)
10	12-19-0162	Worm Shaft Key	68		
11	11-01-3078	Key	69	179	12-19-0184 Outside Spring Pin
12	11-01-1771	Locknut	70	180	12-19-0108 Quill Pinion
13	12-19-0199	Washer	71	181	11-01-1268 Socket Set Screw
14	12-19-0176	Cluster Gear Key	72	182	11-01-1542 Lockscrew
15	11-19-2209	Feed Reverse Bevel Gear	73	183	12-19-0085 Reverse Trip Ball Lever
16	12-19-0168	Feed Engage Pin	74	184	12-19-0086 Feed Reverse Trip Plunger
17	12-19-0059	Worm Gear Cradle	75	185	12-19-0087 Reverse Trip Ball Lever Screw
18	12-19-0169	Worm Gear Cradle Throw-out	76	186	11-19-2207 Worm Gear
19	12-19-0170	Shift Sleeve	77	187	11-01-3077 Key
20	12-19-0138	Gearshift Plunger	78	188	11-01-1370 Socket Set Screw
21	11-19-2052	Compression Spring	79	189	12-19-0850 ADJ Worm Shaft
22	11-01-0517	Roll Pin	80	190	12-20-1032 Pinion Shaft Hub Handle
23	12-19-3443	Shift Crank	81	191	11-20-2170 Black Plastic Ball Handles
24	11-19-2151	Black Plastic Ball	82	192	12-19-3514 Quill Housing
25	11-01-1010	Cap Screw (3 Req.)	83		
26	11-01-1258	Set Screw	84		
27	12-19-0181	Cluster Gear Shaft Upper Bearing	85		
28	12-19-3504	Cluster Gears Assembly	86		
29	12-19-0175	Cluster Gear Key	87		
30	12-19-0148	Round End Key	88		
31	12-19-3517	Cluster Gear Shaft	89		
32	11-19-0836	Snap Ring	90		
33	12-19-0149	Bevel Gear Bearing	91		
34	12-19-0150	Bevel Gear Thrust Spacer	92		
35	12-19-3544	Feed Reverse Bevel Pinion	93		
36	12-19-0146	Feed Driving Gear	94		
37	12-19-0176	Key	95		
38	12-19-3440	Cluster Gear Input Shaft Assy.	96		
	12-19-0145	Cluster Gear Shaft	97		
	12-19-0144	Feed Gear	98		
40	12-19-3440	Feed Drive Gear Assy.	99		
41	11-19-0310	Needle Bearing	100		
42	11-19-3637	Bushing	101		
43	11-19-2208	Worm	102		
44	12-19-0155	Feed Worm Shaft Bushing	103		
45	11-01-1268	Socket Set Screw	104		
46	11-01-1542	Mock-it Lockscrew	105		
47	12-19-0152	Feed Worm Shaft Thrust Washer	106		
48	11-19-3635	Bushing	107		
49	12-19-3432	Feed Reverse Bevel Gear	108		
50	12-19-0153	Feed Reverse Clutch	109		
51	12-19-3432	Feed Reverse Bevel Gear	110		
52	11-19-3635	Bushing	111		
53	11-01-1547	Socket Set Screw	112		
54	11-01-1375	Socket Set Screw	113		
55	12-19-0157	Reverse Clutch Rod	114		
56	11-01-0509	Roll Pin			
57	12-19-0198	Feed Worm Shaft			
58	12-19-0200	Pin			

Item No.	Code No.	Description	Item No.	Code No.	Description
115	11-19-2054	Compression Spring	170	11-01-0717	Roll Pin
116	12-19-0154	Handwheel Clutch Spring Screw	171	11-01-3076	Key
117	11-01-0515	Roll Pin	172	12-19-0182	Pinion Shaft Hub Screw
118	12-19-0093	Cam Rod Sleeve Assy.	173	11-19-2165	Steel Ball
119	11-01-0513	Roll Pin	174	11-19-2033	Compression Spring
120	11-19-2053	Compression Spring	175	12-20-1031	Rack Feed Handle Hub
121	12-19-3456	Trip Plunger	176	12-19-0079	Pinion Shaft Hub Sleeve
122	12-19-0092	Feed Trip Plunger Bushing	177	12-19-3436	Spring Cover
123	12-19-0090	Trip Plunger Bushing	178	11-19-2020	Clock Spring (Clock Spring Assy. 12-19-3437)
124	12-19-0089	Feed Trip Plunger	179	12-19-0184	Outside Spring Pin
125	12-19-3519	Handwheel	180	12-19-0108	Quill Pinion
127	12-19-3511	Spindle	181	11-01-1268	Socket Set Screw
128	11-19-0081	Quill Skirt	182	11-01-1542	Lockscrew
129	11-19-1790	Locknut	183	12-19-0085	Reverse Trip Ball Lever
130	11-19-1942	Lockwasher	184	12-19-0086	Feed Reverse Trip Plunger
131	11-19-0237	Bearing	185	12-19-0087	Reverse Trip Ball Lever Screw
132	12-19-0197	Sleeve	186	11-19-2207	Worm Gear
133	12-19-0196	Nose-piece	187	11-01-3077	Key
134	12-19-0193	Spindle Dirt Shield	188	11-01-1370	Socket Set Screw
135	11-19-0238	Bearing	189	12-19-0850	ADJ Worm Shaft
136	12-19-3513	(Bearing Spacer - Large)	190	12-20-1032	Pinion Shaft Hub Handle
137		(Bearing Spacer - Small)	191	11-20-2170	Black Plastic Ball Handles
138	11-19-0238	Bearing	192	12-19-3514	Quill Housing
139	11-01-1265	S.S.S. .250-20x.250 Knurled Cup Pt.			
140	11-01-1545	Special Socket Set Screw			
141	12-19-3540	Collet Alignment Screw			
142	12-19-0192	Quill (O.D. Within .0001")			
144	11-01-1303	Socket Set Screw			
145	12-19-3498	Feed Trip Lever			
146	12-19-0185	Trip Lever Pin			
148	12-19-0110	Quill Lock Sleeve			
149	12-20-0098	Lock Handle			
150	11-01-1453	RHMS 10-32x.312			
151	11-19-2403	Felt Washer			
152	12-19-0111	Quick Lock Bolt			
153	12-19-0109	Quill Lock Sleeve Tapped			
155	12-19-3546	T-Bolt Assy.			
156	12-19-0135	Lower Clamping Bolt Spacer (2 Req.)			
157	11-19-1736	Locknut			
158	11-01-1411	Chem Blacked RD.HD. Screws (2 Req.)			
159	11-19-5306	Micrometer Scale			
160	11-19-0836	Snap Ring			
161	12-19-0190	Quill Micro-stop Nut			
162	12-19-0084	Micrometer Nut			
163	12-19-0082	Quill Stop Knob			
164	12-19-0083	Quill Stop Micro-screw			
165	11-01-1090	Screw			
166	12-19-3501	Quill Pinion Shaft			
167	11-01-3078	Key			
168	12-20-0111	Spring Pin			
169	11-01-1445	RD. Head Screw (2 Req.)			

2J Head Top Housing



2J HEAD TOP HOUSING

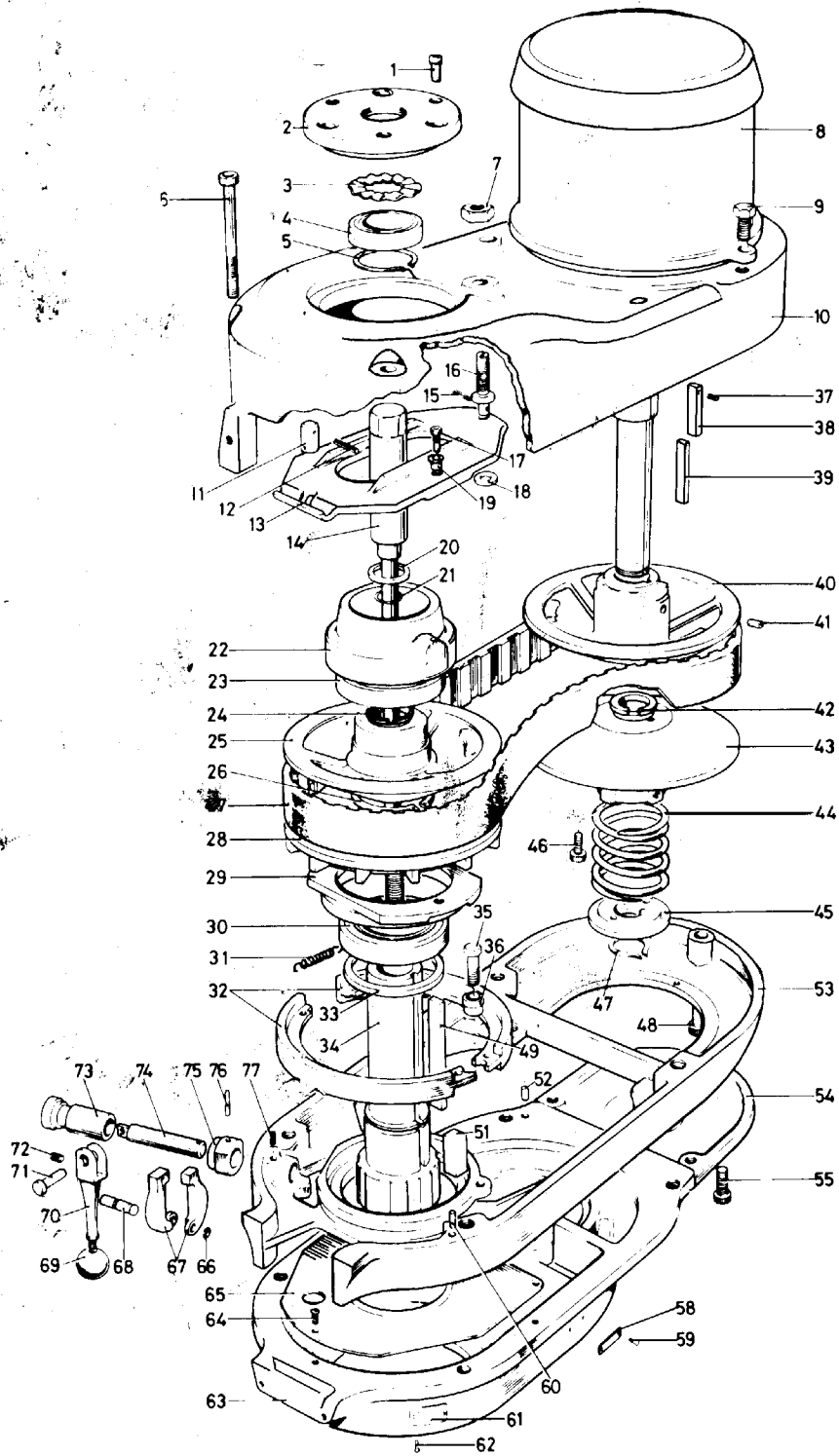
Item	Code No.	Description	Item	Code No.	Description
1	11-01-1743	Hex Cap Nut	45	11-18-1650	Vert. Tee Bolts (3)
2	11-18-0033	Vari-Speed Dial	46	11-18-1906	Steel Washer (3)
3	11-18-3646	Bronze Bearing	47	11-01-1750	Hex Jam Nut (3)
4	11-01-1380	Full Dog Socket Setscrew	48	11-18-1986	Ball Brg. Gear Sleeve Wshr.
5	12-18-0055	Speed Changer Hsg.	49	12-18-0054	Fixed Clutch Bracket
6	11-01-0516	Roll Pin	50	11-01-1246	Socket Setscrew
7	12-18-4926	Spur Gear	51	12-18-0105	Guide for Clutch Bracket
8	12-18-2003	Support Block	52	11-01-1016	Flat Hd. Socket Cap Scr. (2)
9	11-01-0520	Roll Pin	53	11-01-0511	Dowel Pin
9a	11-01-0534	Roll Pin	54	11-18-3104	Oil Cup
9b	12-18-0066	Speed Change Stud	55	11-18-2071	Compression Spring (3)
9c	11-01-0620	T-Head Cutter Pin	56	11-18-1794	Bearing Locknut
10	11-18-3720	Speed Changer Chain	57	12-18-0061	Bearing Sleeve
11	11-18-2655	Drum Switch	58	11-18-1977	Wave Spring Washer
12	12-18-3923	Belt Housing Assy.	59	12-18-0067	Bull Gear Shift Pinion
13	12-18-0094	Top Bearing Cap	60	12-18-0161	Hi-Low Detent Plate
14	11-01-1065	Socket Hd. Cap Screw (2)	61	11-18-1732	Hex Nut (3)
15	12-19-0201	Roll Pin	62	11-15-1913	Flat Washer
16	11-18-1923	Spring	63	12-18-0085	Studs (3)
17	11-18-0214	Bearing	66	12-18-0100	Hi-Low Detent Plunger
18	12-18-2002	Speed Changer Shaft	67	11-18-2072	Spring
19	11-18-2178	Handle	68	11-01-1017	Socket Cap Screw (2)
20	11-18-2892	Caution Plate	69	11-19-2151	Bakelite Ball Handle
21	12-18-2001	Speed Changer Handwheel	70	12-18-0099	Hi-Low Shift Crank
22	11-01-1133	Flat Hd. Cap Screw (2)	71	12-18-0096	Hi-Low Pinion Block
23	11-18-2901	Plastic Face Plate	73	11-01-1052	Socket Cap Screw (4)
24	11-18-1233	Setscrew	75	11-01-1012	Socket Hd. Cap Screw
25	11-01-1037	Socket Hd. Cap Screw (4)	76	12-18-0088	Motor Pulley Cover
26	11-01-1287	Socket Setscrew	77	11-01-1287	Socket Setscrew
27	11-18-3645	Bronze Bearing	78	11-01-3079	Key (2)
28	12-19-0201	Pin	79	11-18-0235	Ball Bearing (2)
29	12-18-0087	Speed Control Shaft	80	12-18-0075	Bull Gear Pinion Counter
30	11-19-2208	Worm Gear			Shaft
31	11-18-3636	Bearing	81	12-18-0103	Key
32	11-01-0550	Roll Pin	82	11-18-1975	Wave Spring Washer
33	12-18-4926	Speed Changer Spur Gear	83*	12-18-3933	Spindle Bull Gear Set
		Assy.	84	12-18-0076	Bull Gear Pinion Brg. Cap
34	11-01-1031	Socket Head Caps Screws	85	11-01-1011	Socket Hd. Cap Screw (2)
35	12-18-0065	Speed Changer Chain Drum	86*	12-18-0091	Pulley
36*	11-55-2106	Belt	87	11-19-1738	Jam Nut
37*	12-55-0012	Pulley Hub			
38		Deleted			
39	12-18-0059	Splined Gear Hub			
40*	12-18-3933	Spindle Bull Gear Set	36	11-18-2106	Belt
41	11-18-0254	Ball Bearing (2)	37	12-18-0060	Spindle Pulley Hub
42	12-18-0092	Snap Ring (2)	86	12-55-0016	Timing Belt Pulley
43	12-18-0063	Bull Gear Bearing Spacer			
44	12-18-0053	Gear Housing			

For 1-½ HP Head, Substitute the Following

36	11-18-2106	Belt
37	12-18-0060	Spindle Pulley Hub
86	12-55-0016	Timing Belt Pulley

*To Be Purchased As A Set.

2J Head Assembly



2J Head Assembly

Item No.	Code No.	Description
1	11-01-1033	Socket Cap Screw (3 Req.)
2	12-18-0094	Top Bearing Cap
3	11-18-1977	Spring Washer
4	11-18-0252	Ball Bearing
5	11-18-0848	Snap Ring No.
6	11-01-1069	Socket HD Cap Screw (2 Req.)
7	11-01-1745	Hex Jam Nut
8	12-01-5171	Motor 1-1/2 HP (complete unit) 230/460 3/60
8a	11-55-0001	2 HP Motor
8b	12-55-0019	2 HP Motor Assembly
9	11-01-1148	Hex HD Screw (2 Req.)
10	12-18-3923	Belt Housing
11	12-18-0066	Speed Change Chain Stud
12	11-01-0534	Roll Pin
13	11-18-0058	Speed Change Plate
14	12-18-3920	Drawbar
15	11-01-0604	Cotter Pin
16	12-18-0074	Speed Change Plate Pivot Stud
17	11-01-1125	Socket HD Cap Screw (2 Req.)
18	12-18-0095	Washer
19	12-18-0089	Pivot Sleeve (2 Req.)
20	12-18-0093	Draw Bar Washer
21	11-18-0915	"O" Ring
22	12-18-0056	Spindle Pulley Bearing Sliding Housing
23	11-18-0253	Ball Bearing
24	11-18-2124	Plastic Insert (2 Req.)
25	12-18-3934	Adjustable - Driven Varidisc
26	11-18-0855	Snap Ring No.
27	11-18-2120	Belt
28	12-18-0082	Stationary Driven Varidisc
29	12-18-0057	Brake Bearing Cap
30	11-18-0253	Ball Bearing
31	11-18-2081	Brake Spring (2 Req.)
32	12-18-0073	Brake Shoe Assembly (2 Req.)
33	12-18-0078	Spindle Pulley Spacer
34	12-18-0060	Spindle Pulley Hub
35	11-01-1140	Hex HD. Screw
36	12-18-0071	Brake Shoe Pivot Sleeve
37	11-01-0501	Roll Dowel Pin
38	12-18-0102	Drive Key
39	11-18-2121	Key for ADJ Varidisc Motor Shaft
40	12-18-0080	Stationary Motor Varidisc
41	11-01-1287	Socket Set Screw

Item No.	Code No.	Description
42	11-18-2123	Plastic Insert (2 Req.)
43	12-18-3931	Adjustable Motor Varidisc Assembly
44	11-18-2083	Spring for Varidisc Motor Shaft
45	11-18-2305	Adjustable Varidisc Spring Collar
46	11-01-1065	Socket HD Cap Screw (2 Req.)
47	11-18-0860	Ret. Ring
48	11-01-1052	Socket Cap Screw
49	11-18-2122	Plastic Key
51	12-18-0084	Key
52	12-18-0107	Taper Pin
53	12-18-3923	Belt Housing Base
54	12-18-0088	Motor Pulley Cover
55	11-01-1012	Socket Cap Screw
56	11-01-1552	Drive Screw (4 Req.)
58	11-18-2893	HI-LOW Range Nameplate
59	11-01-1552	Drive Screw (4 Req.)
60	12-18-0107	Taper Pin (2 Req.)
61	11-18-2894	Quill Feed Nameplate
62	11-01-1552	Rivets (4 Req.)
63	12-18-0053	Gear Housing
64	11-01-1443	Round HD. Machine Screw (3 Req.)
65	11-18-5030	Gear Housing Plate
66	11-18-0818	Snap Ring
67	12-18-0072	Brake Operating Finger
68	12-18-0083	Brake Finger Pivot Stud
69	11-19-2151	Bakelite Ball Handle
70	12-19-0133	Brake Lock Handle
71	12-19-0134	Brake Lock Pin
72	11-01-1215	Socket Set Screw
73	12-18-0104	Sleeve for Brake Lock Shaft
74	12-18-0070	Brake Lock Shaft
75	12-18-0069	Brake Lock Cam
76	11-01-0534	Roll Pin
77	11-01-1287	Socket Set Screw

For 2 HP Head, Substitute the Following:

38	12-55-0007	Key
39	12-55-0004	Key
40	12-55-0006	Stationary Varidisc
42	11-18-2126	Plastic Insert (2 Req.)
43	12-55-0005	Adjustable Varidisc
44	11-18-2083	Spring
45	12-55-0003	Spring Collar
47	11-17-0865	Ret. Ring

6F Longitudinal Power Feed Assembly

