

REVISIONS

DESCRIPTION

DATE

APPROVED

ZONE REV

TOOLMAKER'S VISE SPECIFICATIONS:

WIDTH: 2-1/2"
 JAW DEPTH: 1"
 MAXIMUM OPENING: 2-3/4"

NO.	PART NAME	REQD.	MATERIAL
11	KEY	1	
11	SET SCR. 1/4-20 X 1/2 LG	1	
11	SHCS #10-32 X 3/4 LG	2	
10	SHCS #10-32 X 1 LG	2	
9	SHCS 1/4-20 X 1.5 LG.	2	
8	RETRACTOR SCREW	1	
7	KEEPER	1	
6	HAND KNOB	1	
5	SCREW	1	
4	SCREW SUPPORT	1	
3	MOVEABLE JAW	1	
2	FIXED JAW	1	
1	BASE	1	

CONNECTICUT TECHNICAL
 HIGH SCHOOL SYSTEM

TITLE TOOL MAKER'S VISE

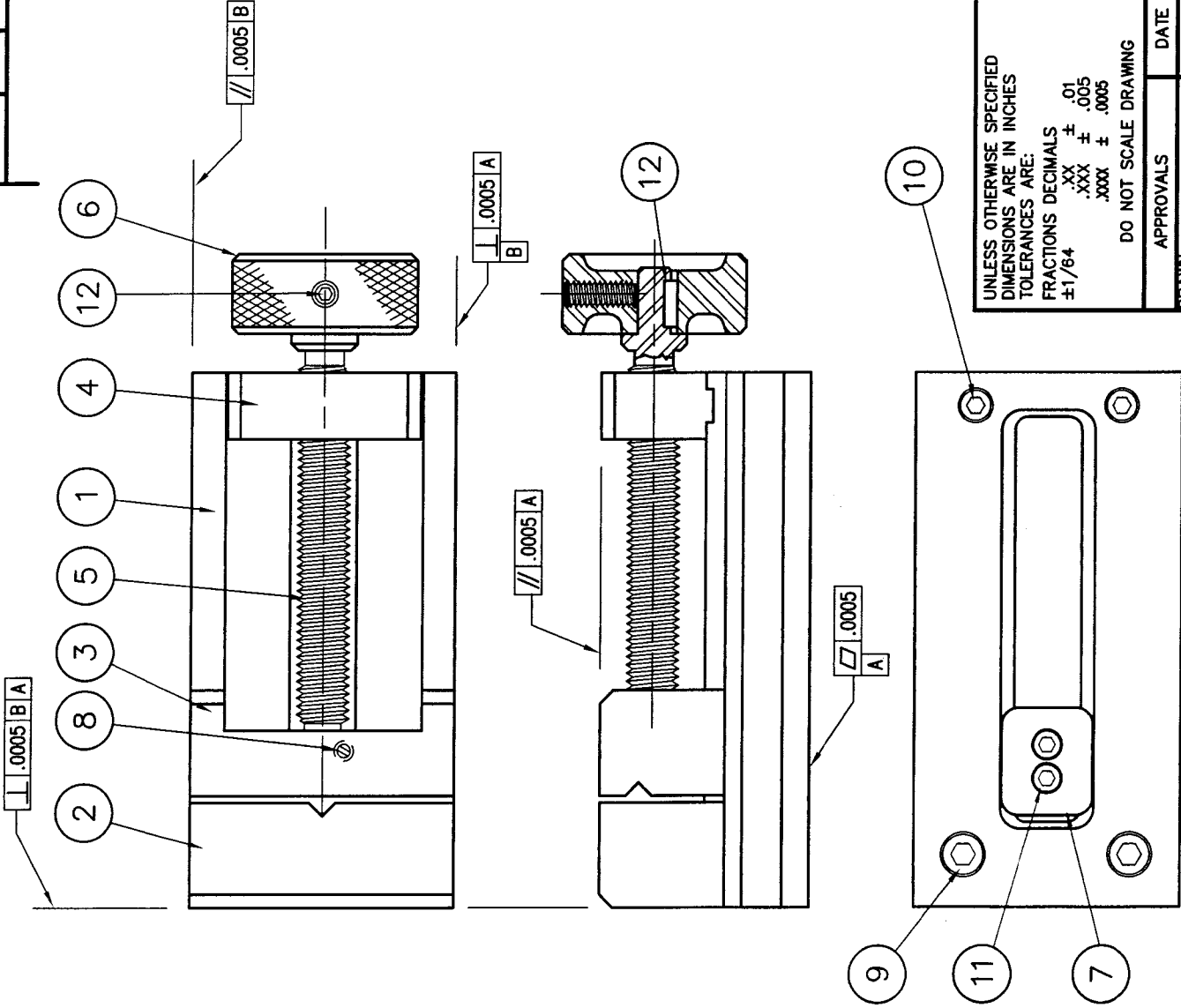
SIZE A
 CAGE CODE 91747
 DWG NO. 2009-1

REV -

SCALE: A.S. NOTFD

SHEET

1 OF 5



UNLESS OTHERWISE SPECIFIED
 DIMENSIONS ARE IN INCHES
 TOLERANCES ARE:
 FRACTIONS DECIMALS
 $\pm 1/64$.XX $\pm .01$
 .XXX $\pm .005$
 .XXX $\pm .0005$

DO NOT SCALE DRAWING

APPROVALS	DATE
DRAWN GRASSO	9/09
CHECKED BONO	
ENGR	

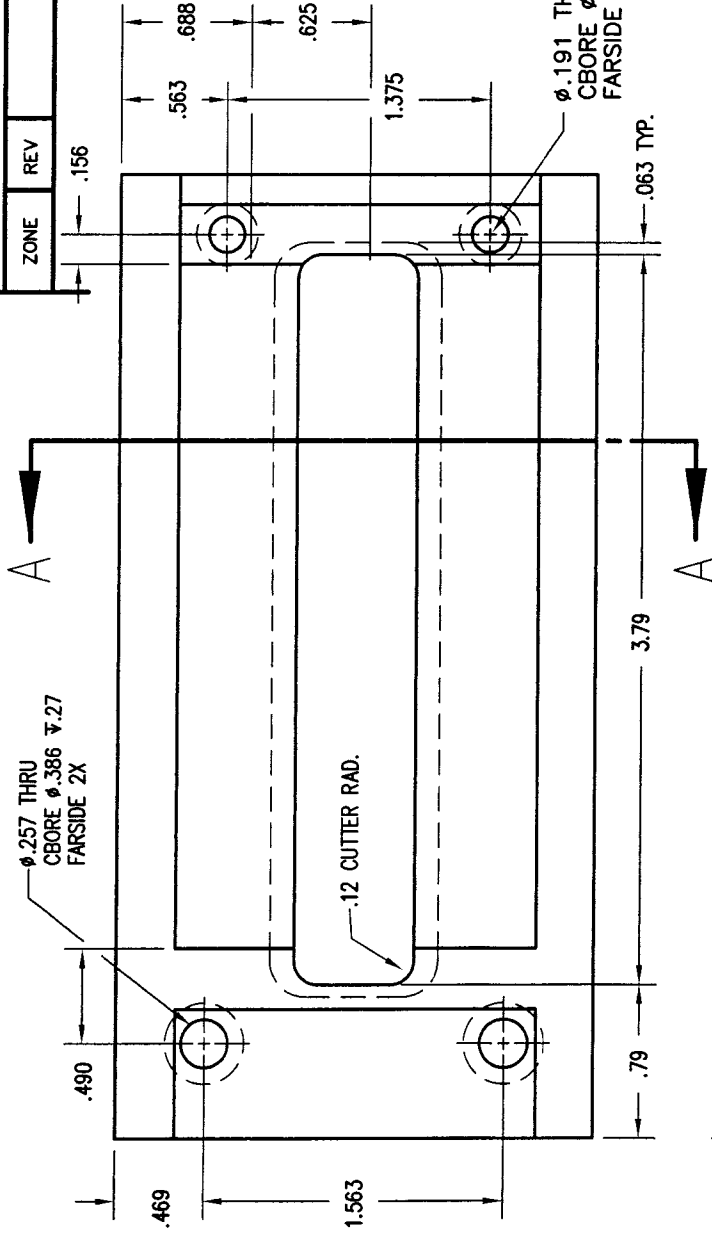
REVISIONS

DESCRIPTION

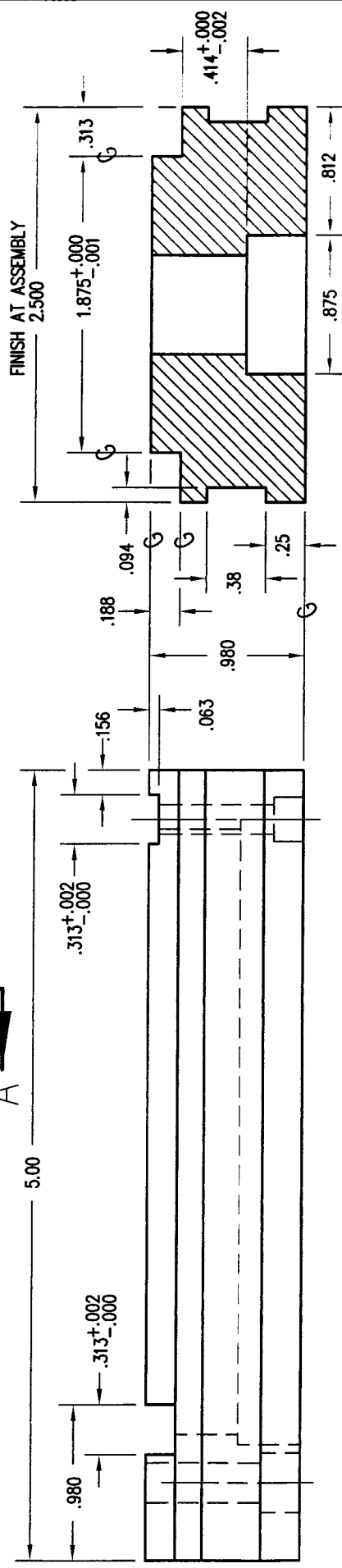
ZONE REV

DATE

APPROVED



SECTION A A



1 BASE
HRS- 1 REQ.

UNLESS OTHERWISE SPECIFIED
DIMENSIONS ARE IN INCHES
TOLERANCES ARE:
FRACTIONS DECIMALS
±1/64 .XX ± .01
.XXX ± .005

DO NOT SCALE DRAWING

APPROVALS	DATE
DRAWN GRASSO	9/09
CHECKED BONO	
ENGR	

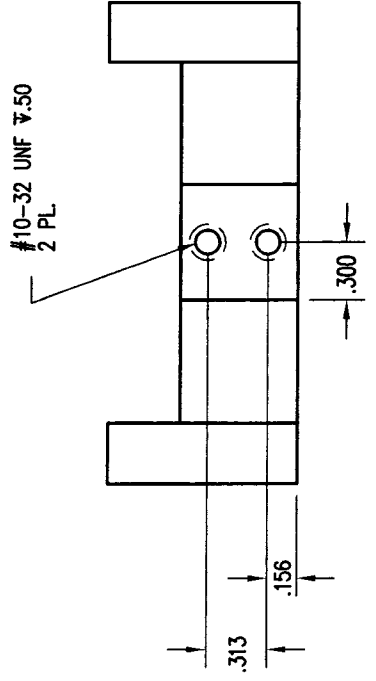
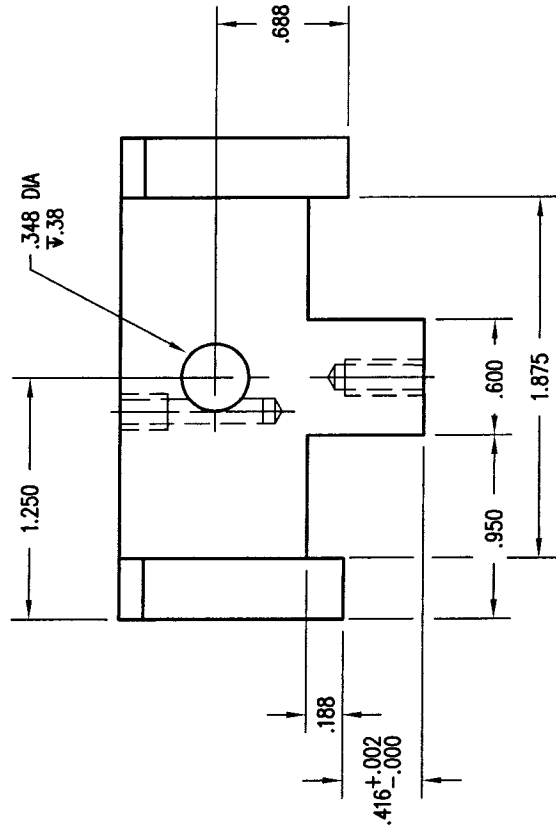
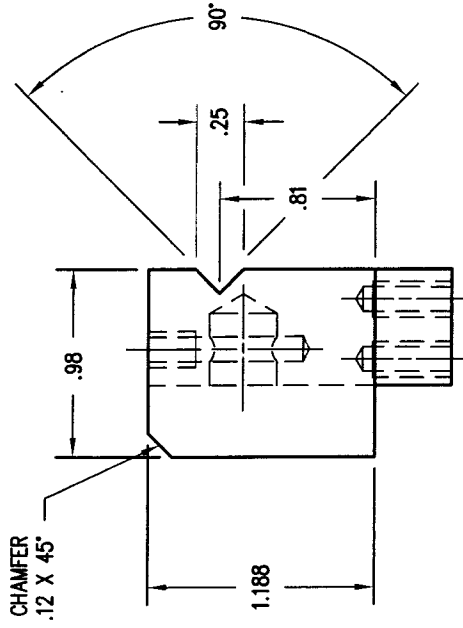
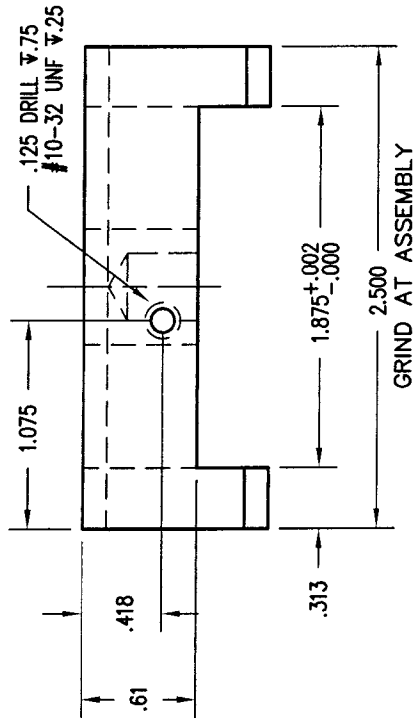
CONNECTICUT TECHNICAL
HIGH SCHOOL SYSTEM

TITLE TOOL MAKER'S VISE

SIZE A	CAGE CODE 91747	DWG NO. 2009-2	REV -
SCALE: AS NOTED			SHEET 2 OF 5

REVISIONS

ZONE	REV	DESCRIPTION	DATE	APPROVED



3 MOVEABLE JAW
HRS - 1 REQ.

UNLESS OTHERWISE SPECIFIED
DIMENSIONS ARE IN INCHES
TOLERANCES ARE:
FRACTIONS DECIMALS
±1/64 .XX ± .01
.XXX ± .005

DO NOT SCALE DRAWING

APPROVALS	DATE
DRAWN GRASSO	9/09
CHECKED BONO	
ENGR	

CONNECTICUT TECHNICAL
HIGH SCHOOL SYSTEM

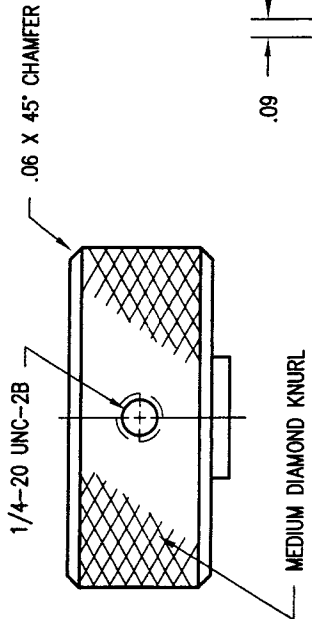
TITLE TOOL MAKER'S VISE

SIZE	CAGE CODE	DWG NO.	REV
A	91747	2009-3	-

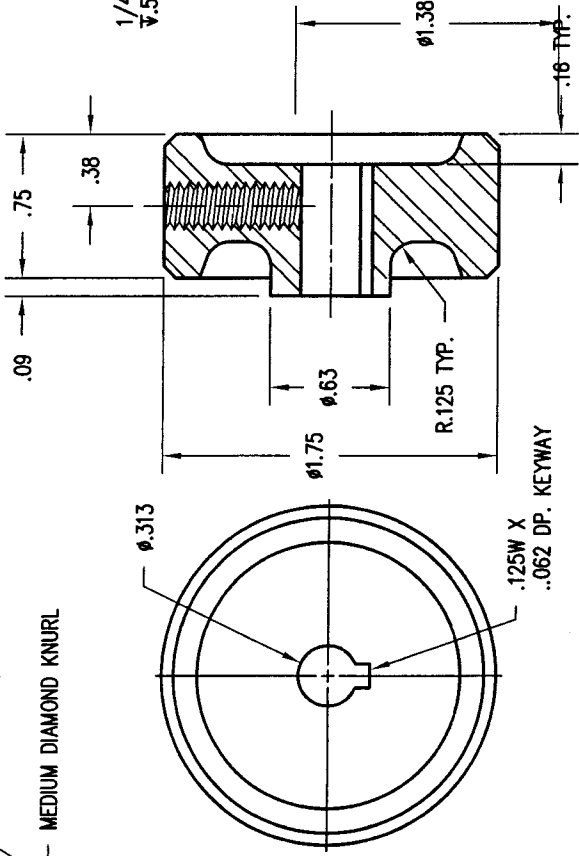
SCALE: AS NOTED SHEET 3 OF 5

REVISIONS

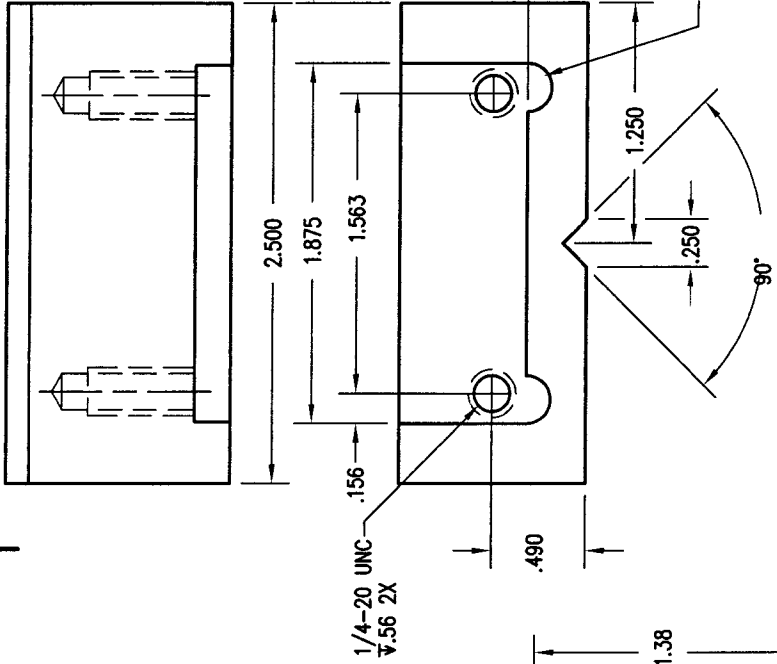
ZONE REV DESCRIPTION DATE APPROVED



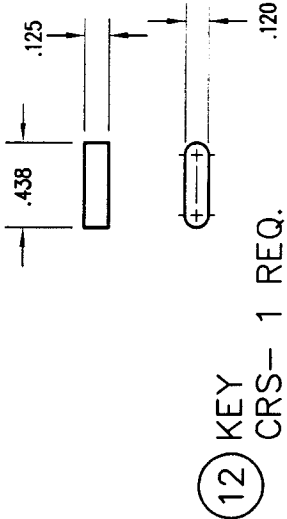
6 HAND KNOB
CRS- 1 REQ.



8 RETRACTOR SCREW
CRS- 1 REQ.
SCALE 2X



2 FIXED JAW
HRS- 1 REQ.



12 KEY
CRS- 1 REQ.

UNLESS OTHERWISE SPECIFIED
DIMENSIONS ARE IN INCHES
TOLERANCES ARE:
FRACTIONS DECIMALS
±1/64 .XX ± .01
.XXX ± .005

DO NOT SCALE DRAWING

APPROVALS	DATE
DRAWN GRASSO	9/09
CHECKED BONO	
ENGR	

CONNECTICUT TECHNICAL
HIGH SCHOOL SYSTEM

TITLE TOOL MAKER'S VISE

SIZE A

CAGE CODE 91747

DWG NO. 2009-4

REV -

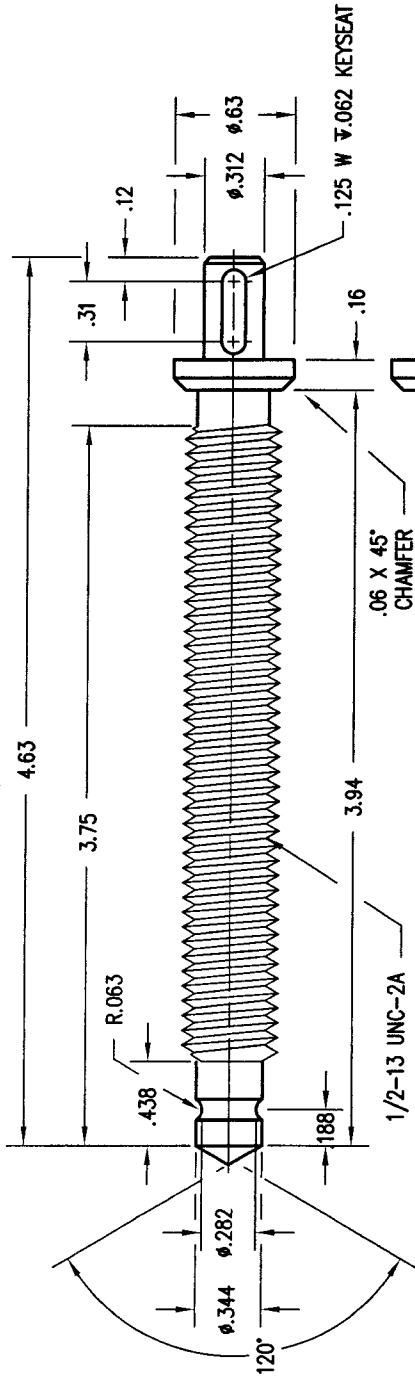
SCALE: AS NOTED

SHEET

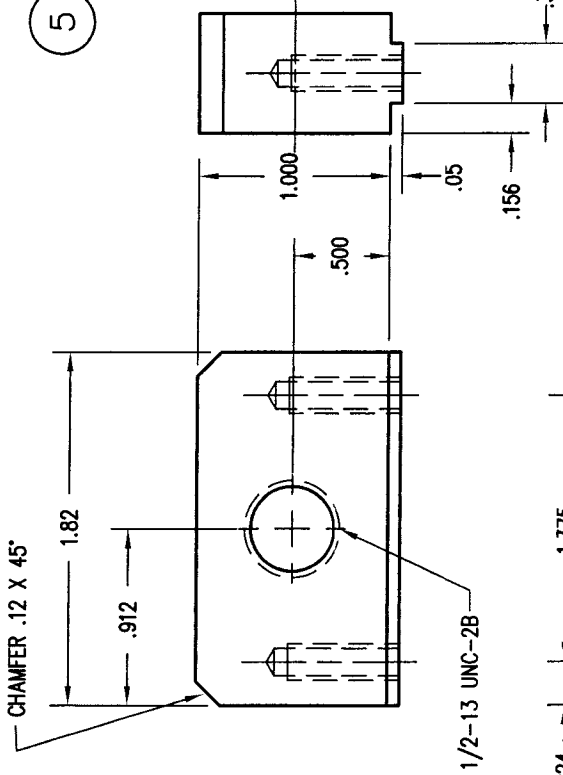
4 OF 5

REVISIONS

ZONE REV DESCRIPTION DATE APPROVED

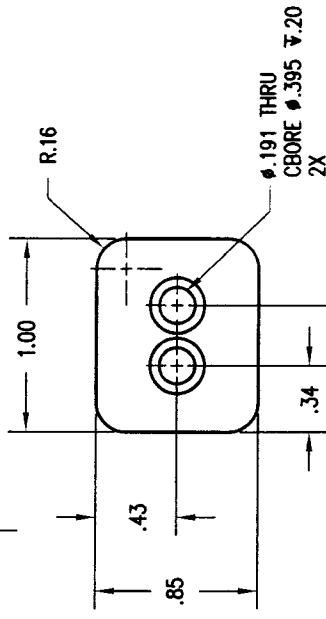


5 SCREW
CRS- 1 REQ.



4 SCREW SUPPORT
HRS OR CRS- 1 REQ.

7 KEEPER
CRS- 1 REQ.



UNLESS OTHERWISE SPECIFIED
DIMENSIONS ARE IN INCHES
TOLERANCES ARE:
FRACTIONS DECIMALS
±1/64 .XX ± .01
.XXX ± .005

DO NOT SCALE DRAWING

APPROVALS	DATE
DRAWN GRASSO	9/09
CHECKED BONO	
ENGR	

CONNECTICUT TECHNICAL
HIGH SCHOOL SYSTEM

TITLE TOOL MAKER'S VISE

SIZE	CAGE CODE	DWG NO.	REV
A	91747	2009-5	-

SCALE: AS NOTED SHEET 5 OF 5