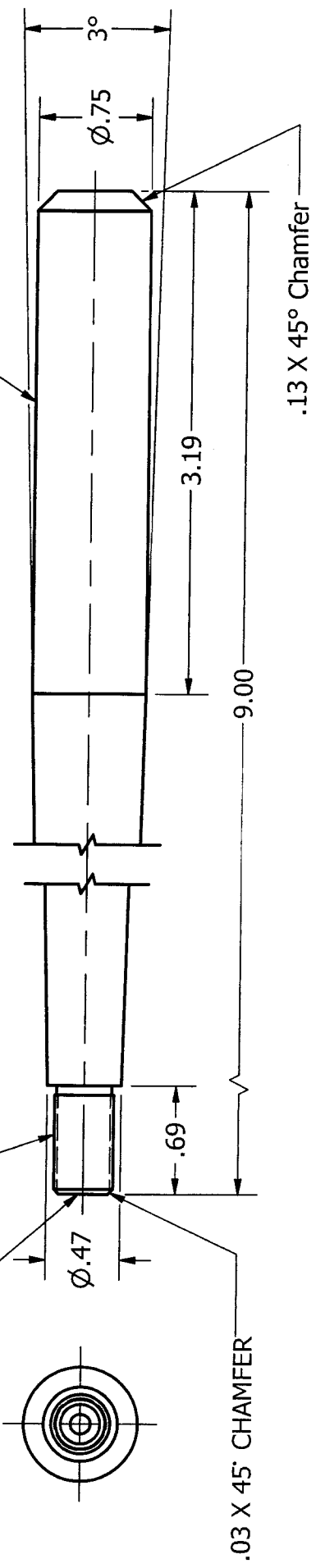


Parts List

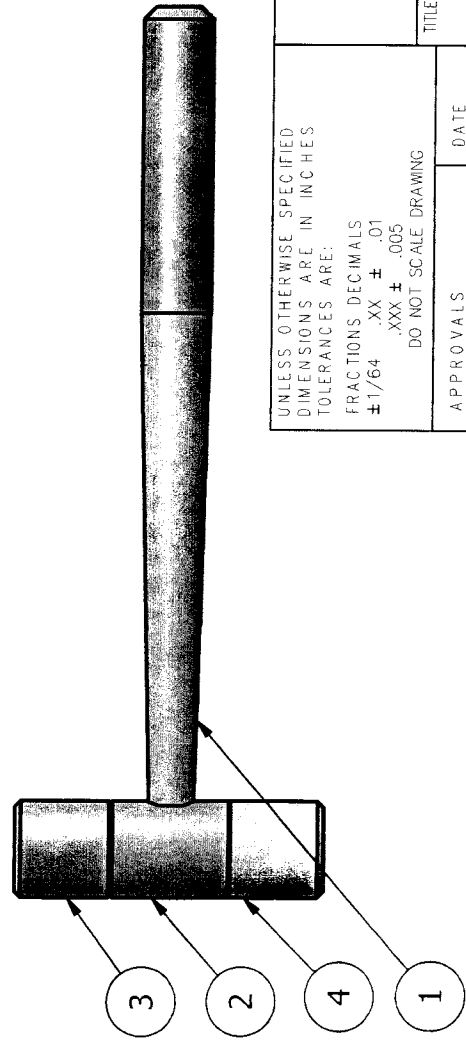
ITEM	QTY	PART NUMBER	DESCRIPTION
1	1	HAMMER HANDLE 1020 CRS	Ø .75 X 9.06 LG
2	1	HAMMER HEAD 1020 CRS	Ø 1.00 X 2.38 LG
4	1	BRASS FACE ALLOY 360	Ø 1.00 X 1.06 LG
3	1	ALUMINUM HAMMER 6061-T6	Ø 1.00 X 1.06 LG

CENTER DRILL  
BOTH ENDS

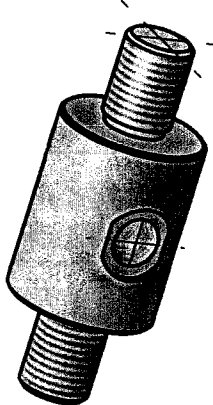
3/8-24 UNF - 2A  
UNDERCUT .06 W. ▽ .03



HANDLE  
AISI 1020 CRS  
1 REQ.



UNLESS OTHERWISE SPECIFIED DIMENSIONS ARE IN INCHES TOLERANCES ARE: FRACTIONS DECIMALS $\pm 1/64$ .XX $\pm .01$ .XXX $\pm .005$ DO NOT SCALE DRAWING		APPROVALS		DATE
CONNECTICUT TECHNICAL HIGH SCHOOL SYSTEM		DRAWN TONY FRANCO		3/01/09
TITLE <b>SOFT FACE HAMMER</b>		CHECKED		
SIZE	CAGE CODE	ENGR BOND		
A	91747	1		
SCALE: 1:1		1		2 OF 2

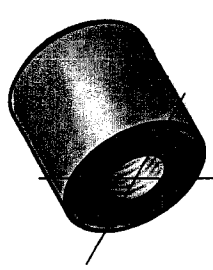


B

2

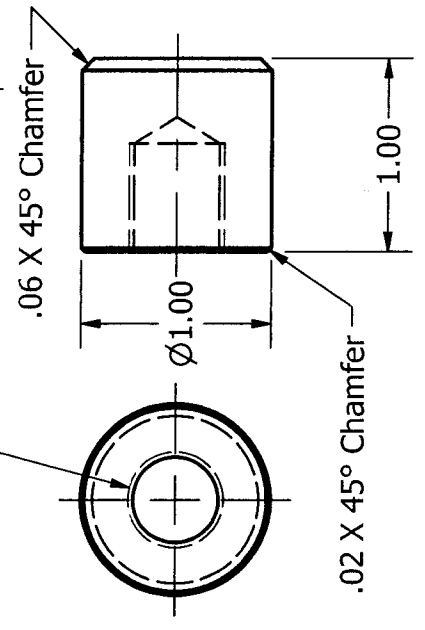
W

1



B

1/2-20 UNF - 2B  $\nabla$  .62



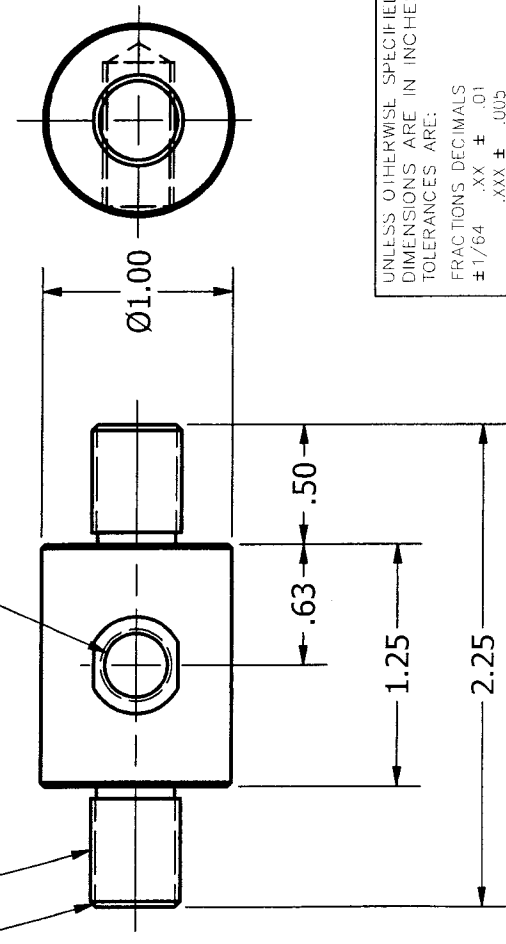
SOFT FACES  
 1 REQ. ALLOY 360 BRASS  
 1 REQ. 6061-T6 ALUMINUM

.03 X 45° Chamfer 4X

1/2-20-UNF-2A 2X

3/8-24 UNF - 2B  $\nabla$  .75

$\sqsubset$  Ø .50  $\nabla$  .05



HAMMER HEAD  
 AISI 1020 CRS  
 1 REQ

A

2

W

A

CONNECTICUT TECHNICAL  
 HIGH SCHOOL SYSTEM

**SOFT FACE HAMMER**

UNLESS OTHERWISE SPECIFIED DIMENSIONS ARE IN INCHES TOLERANCES ARE: FRACTIONS DECIMALS $\pm 1/64$ .XX $\pm$ .01 $\pm .001$ .XXX $\pm$ .005 DO NOT SCALE DRAWING		TITLE	
APPROVALS	DATE	SIZE	
DRAWN TONY FRANCO	3/01/09	CAGE CODE	
CHECKED		91747	
FNGR BONO		DWG. NO.	
		CTHSS MANU. TECH	
		SCALE: 1:1	
		1 OF 2	