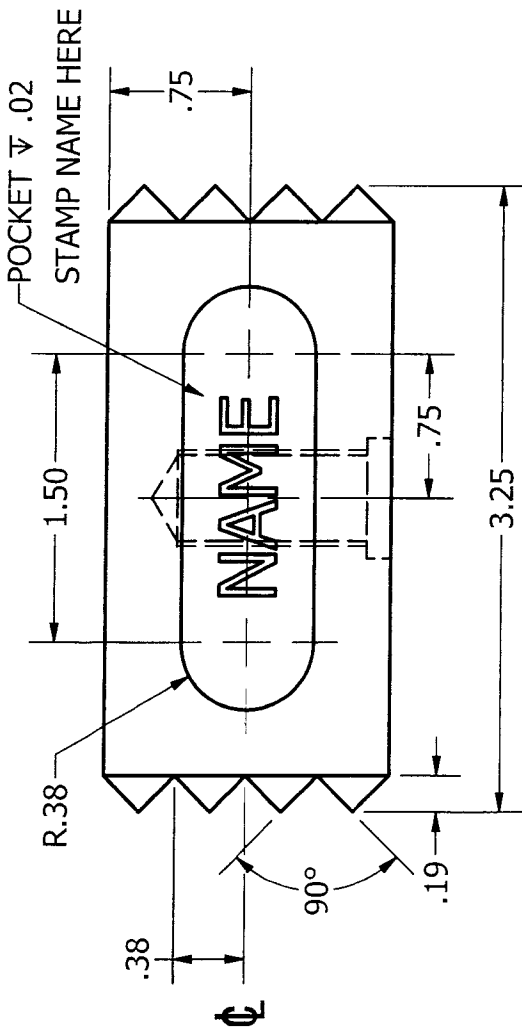


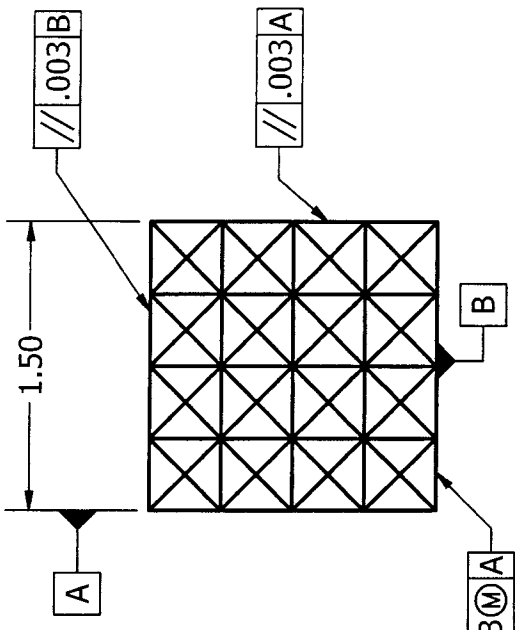
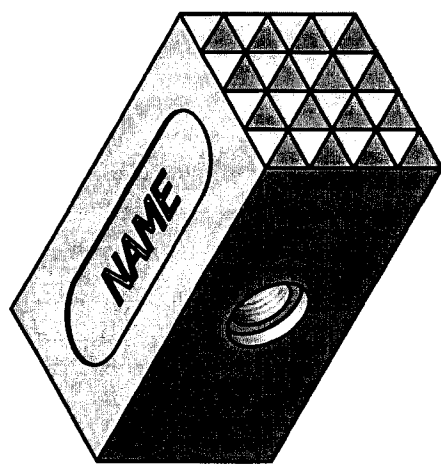
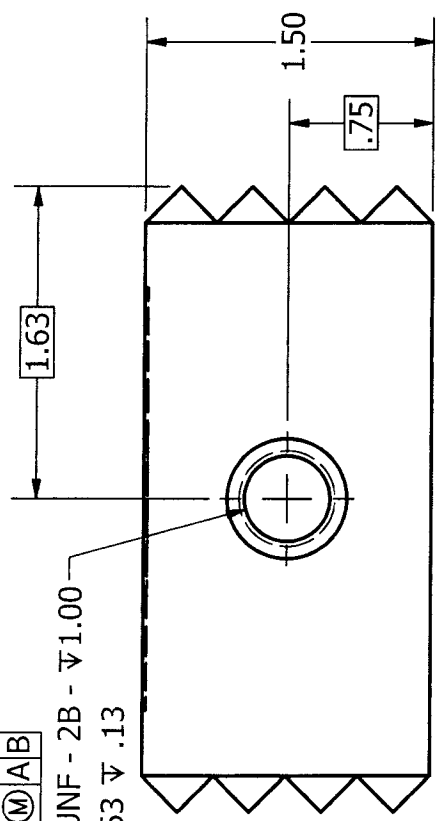
2 1



ϕ .005 (M) A B

1/2-20 UNF - 2B - ∇ 1.00

\perp ϕ .63 ∇ .13



HAMMER HEAD
ALLOY 360 BRASS
1 REQ.

UNLESS OTHERWISE SPECIFIED
DIMENSIONS ARE IN INCHES
TOLERANCES ARE:
FRACTIONS DECIMALS
 \pm 1/64 .XX \pm .01
.XXX \pm .005
DO NOT SCALE DRAWING

APPROVALS	DATE
DRAWN NICOLE A.	5/01/09
CHECKED	
ENGR BONO	

CONNECTICUT TECHNICAL
HIGH SCHOOL SYSTEM

TITLE
MEAT TENDERIZER HEAD

SIZE A
CAGE CODE 91747
DWG. NO. 11V -

SCALE: 1:1
SHEET 5 OF 3

B A

A B

A B

1