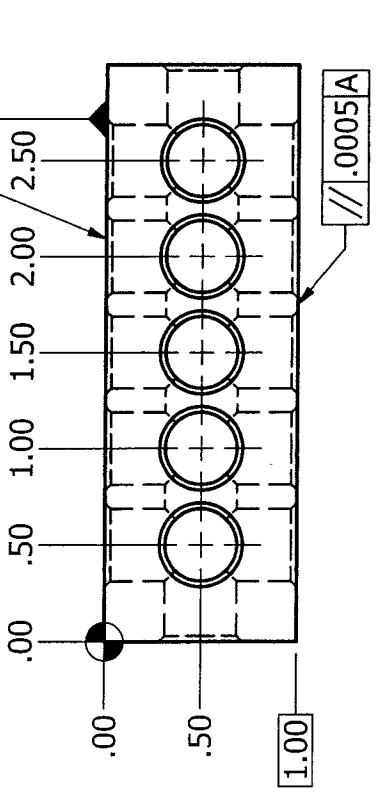
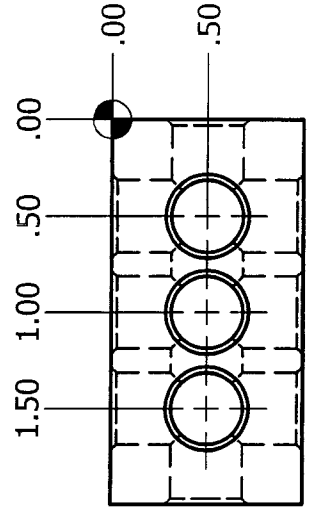
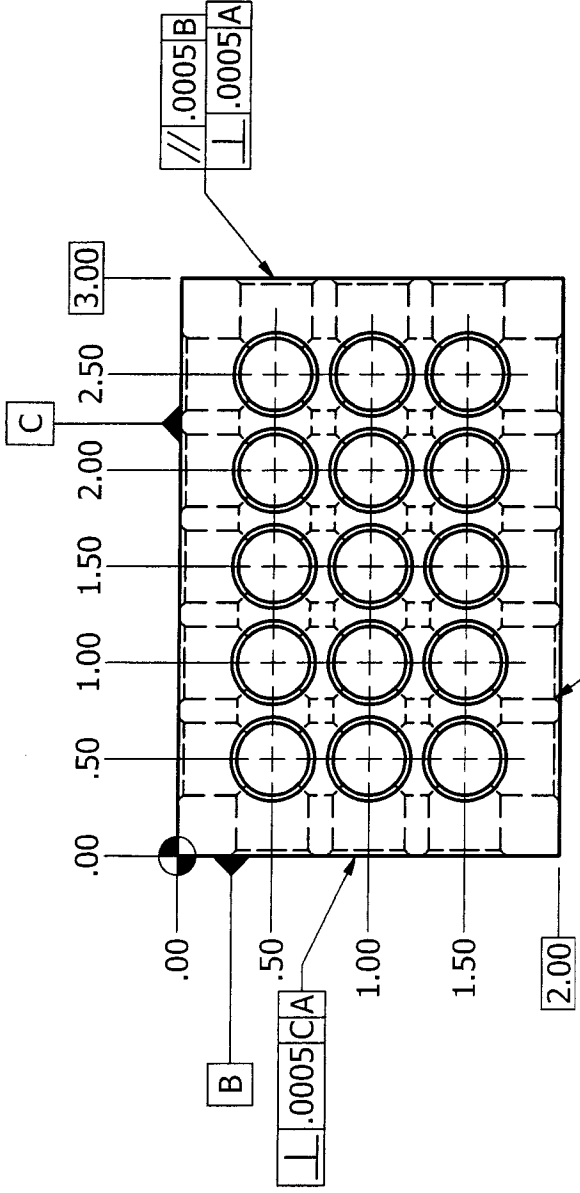
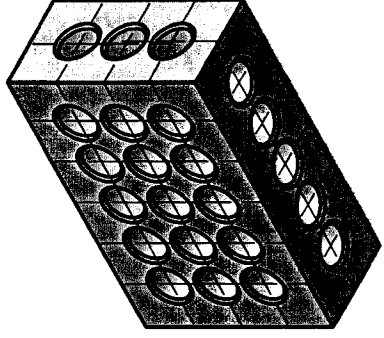


2 1



AISI C1010 HRS
CASE HDN. ∇ .02

UNLESS OTHERWISE SPECIFIED
DIMENSIONS ARE IN INCHES
TOLERANCES ARE:
FRACTIONS DECIMALS
 $\pm 1/64$.XX \pm .01
.XXX \pm .005
DO NOT SCALE DRAWING

| | |
|-----------|---------|
| APPROVALS | DATE |
| DRAWN | 3/01/09 |
| CHECKED | |
| ENGR BONO | |

CONNECTICUT TECHNICAL
HIGH SCHOOL SYSTEM

1-2-3 BLOCK

| | | |
|------------|-------------|----------|
| TITLE | 1-2-3 BLOCK | |
| SIZE | CAGE CODE | DWG. NO. |
| A | 91747 | |
| SCALE: 1:1 | | 1 OF 1 |

B

A

A

B

A

A